

R247-G-HUB


StreetHub™ Connected 24-Hour Flashing Beacon System



24-hour flashing beacons for warning and stop signs increase compliance and reduce blow-throughs.

- ✓ Highest intensity output in the industry
- ✓ MUTCD and Buy America compliant
- ✓ Energy Balance Report™ (EBR) prepared for every location

Built-in wireless connectivity allows for remote scheduling, data collection and beacon health monitoring, ensuring optimal safety, minimal downtime and fewer service calls and site visits.

- ✓ Monitoring unit upgrades and over-the-air software and security updates included
- ✓ Extended battery warranty matched to connectivity and support plan
- ✓ Backup battery ensures uninterrupted data collection and connectivity
- ✓ Powered by  applied INFORMATION

SAFETY + CONTROL + INSIGHT

All-in-one System

The R247-G-HUB combines Carmanah's reliable safety beacons with Applied Information's industry-leading intelligent transportation systems (ITS) solutions. An out-of-the-box system, the R247-G-HUB ships ready to install with instant connectivity.

Remote Scheduling and Calendar Control

Every R247-G-HUB includes its own monitoring unit allowing for two-way remote communication and control. Schedule and program adjustments can be made with the cloud-based Glance platform powered by AI, reducing site visits and saving departments time and money.

Timely Alerts

The R247-G-HUB issues system status alerts 24/7 via text or email to reduce service calls, speed response times and improve safety by ensuring systems are working properly.

Automated and On-demand Reports

Connecting to Glance means users can quickly and easily access data and insights that enable accurate treatment analysis and proactive maintenance plans.

TravelSafely Mobile Safety App

TravelSafely is a pioneering smartphone app developed by AI that boosts safety by providing alerts and facilitating better communication between motorists, pedestrians, cyclists and infrastructure.

Trusted for 20+ Years

With thousands of installations, Carmanah's systems are the benchmark in traffic installations and other transportation applications worldwide.



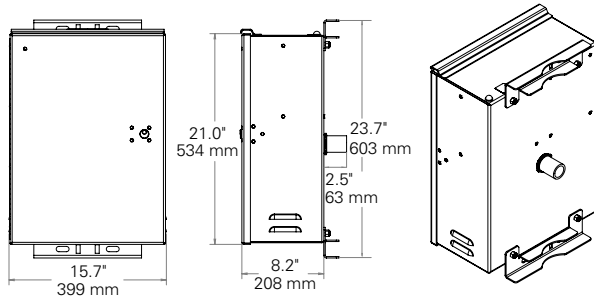
R247-G-HUB

StreetHub™ Connected 24-Hour Flashing Beacon System

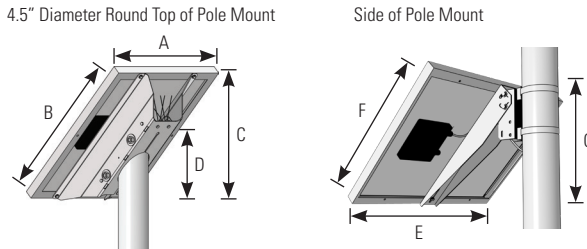
1.844.412.8395 | traffic@carmanah.com | carmanah.com



SOLAR ENGINE DIMENSIONS

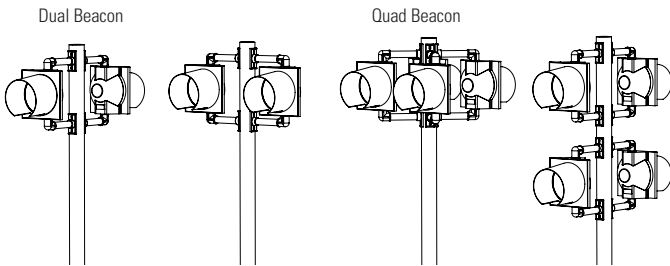


SOLAR ENGINE MOUNTING



| PANELS | A | B | C | D | E | F | G |
|--------|-------------------|-------------------|-------------------|-------------------|-------------------|-------------------|-------------------|
| 20 W | - | - | - | - | 13.6" (345 mm) | 18.5" (470 mm) | 13.8" (350 mm) |
| 50 W | 21.2" (538 mm) | 26.3" (668 mm) | 19.6" (497 mm) | 10.0" (254 mm) | 26.3" (668 mm) | 21.2" (538 mm) | 16.0" (405 mm) |
| 80 W | 30.7" (780 mm) | 26.5" (672 mm) | 19.7" (500 mm) | 10.0" (254 mm) | 30.7" (780 mm) | 26.5" (672 mm) | 19.7" (500 mm) |

BEACON MOUNTING



CELLULAR CONNECTIVITY AND SOFTWARE SPECIFICATIONS

| | |
|------------------------------------|--|
| Monitoring Unit | Applied Information AI-500-070B (AI-500-071 in Florida) monitoring unit includes cellular modem with GPS, fully integrated and configured from the factory |
| | LTE wireless broadband network |
| | Hardware is upgradeable if service provider changes network requirements |
| | Prewired inputs and outputs to monitor beacon, solar panel, battery, and system status |
| | Unit connects to the network every 30 minutes to ensure uptime |
| | Over-the-air software and security updates |
| | Non-volatile memory storage and battery backup in case of system power loss |
| Scheduling and Monitoring Platform | Glance™ cloud-based platform for remote beacon scheduling and monitoring Compatible with desktop and mobile devices |
| | Easy-to-use calendar with up to 20 unique schedules and unlimited holidays, scenarios, and overrides |
| | Stores detailed system data including battery status, solar panel voltage, and more |
| | Configurable smart alerts through email and/or text of system issues |
| | Custom reports available |
| Connectivity and Support | 1/2/3/4/5-year connectivity and support plans available |

BEACON SPECIFICATIONS

| | |
|---------------------------------|---|
| Optical | MUTCD compliant: 2009 MUTCD, Chapter 4L, Flashing Beacons, Manual on Uniform Traffic Control Devices (MUTCD) |
| | ITE VTCSH-LED Circular Signal Supplement compliant: meets ITE or 1.7x ITE intensity when used as recommended |
| | 12 in (305 mm) or 8 in (203 mm) diameter LED modules, yellow or red |
| Beacon Communication (optional) | High-power LEDs: +90% lumen maintenance (L90) based on IES LM-80 |
| | Yellow, black, or green signal heads in UV-resistant polycarbonate or aluminum |
| | Available with 2.4 GHz radio for remote activation of additional systems |
| | Optional radio allows calendar program, manual override switch, or input device from one system to remotely control other systems |
| | User-selectable multiple channels to group different beacons and ensure a robust wireless signal |
| Activation | Instantaneous wireless activation: <150 ms |
| | Wireless range: 1000 ft (305 m) |
| | Integrated, vandal-resistant antenna |
| Activation | Standard operation is flashing 24 hrs./day |
| | Optional calendar programming available through Glance software |

SYSTEM SPECIFICATIONS

| | |
|-------------------------------|--|
| On-Board User Interface (OBU) | Adjustable system settings with auto-scrolling LED display on our latest EMS |
| | System test, status, and fault detection: battery, solar, button, beacon, radio, day/night |
| | Flash patterns: RFB1 (WW+S), RFB2 (WSDOT), 0.5 sec. alternating (MUTCD), 0.5 sec. unison (MUTCD), 0.1 sec. unison, 0.25 sec. unison, 0.1 sec. x3 quick flashes unison, 0.1 sec. x3 quick flashes alternating |
| | Input: momentary for push button activation, normally open switch, normally closed switch |
| | Flash duration: 5 sec. to 1 hr. |
| | Intensity setting: 20 to 1400 mA for multiple circular beacons, RFBs, or LED enhanced signs |
| | Nighttime dimming: 10 to 100% of daytime intensity |
| | Ambient Auto Adjust: increases intensity during bright daytime |
| | Automatic Light Control: reduces intensity if the battery is extremely low |
| | Temperature correction: yellow or red beacons |
| | Calendar: internal time clock function |
| | Radio settings: enable/disable, selectable channel from 1 to 14 |
| | Output: enabled when beacons flashing daytime and nighttime, or nighttime only E.g., for relay control of overhead lighting |
| | Activation counts and data reporting via OBU or optional USB connection |
| | Power System |
| Energy Collection | 45 deg tilt for optimal energy collection |
| | Maximum Power Point Tracking with Temperature Compensation (MPPT-TC) battery charger for optimal energy collection in all solar and battery conditions |
| Energy Storage | 12 V battery system with multiple sizes: 35, 55, 100 Ahr. |
| | Replaceable, recyclable, sealed, maintenance-free, best-in-class AGM batteries offer the widest temperature range and longest life Battery design life: +5 yrs. |
| Cabinet Construction | Weatherproof, gasketed enclosure with vents for ambient air transfer (NEMA 3R) |
| | Lockable, hinged door with #2 lock |
| | Corrosion-resistant aluminum with stainless steel hardware Raw aluminum finish or yellow, black, or green powder coated Prewired to minimize installation time |
| Environmental | High-efficiency optics and EMS = the most compact, lightweight system |
| | -35 to 165° F (-37 to 74° C) system operating temperature |
| | -40 to 140° F (-40 to 60° C) battery operating temperature 150 mph (241 kph) wind speed as per AASHTO LTS-6 |
| Warranty | 5-year limited warranty, excluding batteries Battery warranty matches selected connectivity and support plan |



Specifications subject to local environmental conditions, and may be subject to change.

All Carmanah products are manufactured in facilities that are certified to ISO quality standards.

"Carmanah" and Carmanah logo are trademarks of Carmanah Technologies Corp.

© 2020, Carmanah Technologies Corp.

Document: SPEC_TRA_R247-G-HUB_RevB