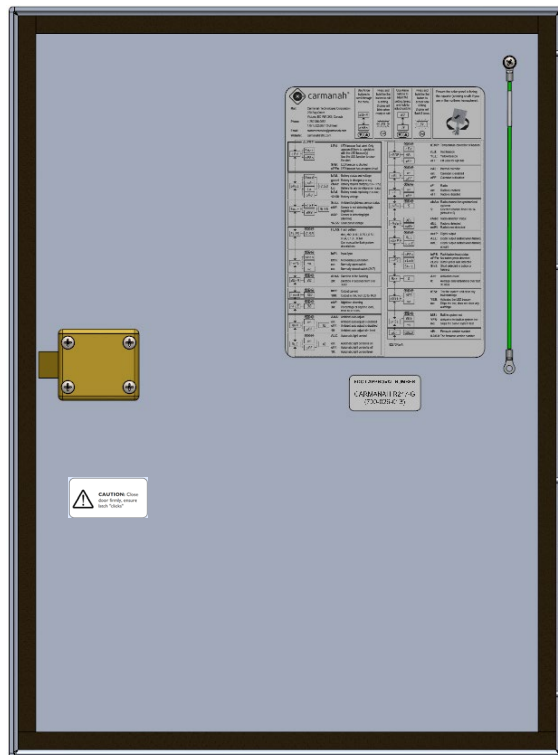




# G Series / SPEEDCHECK®

CABINET DOOR REPLACEMENT GUIDE

**For all G Series and SpeedCheck cabinet-based systems**



89438\_REPLACEMENT\_GUIDE\_CABINET\_DOOR\_REV B

---

## Table of Contents

|   |          |
|---|----------|
| <b>1.0 Warnings and Precautions</b> .....                         | <b>3</b> |
| 1.1 Warranty Disclaimer .....                                     | 3        |
| 1.2 Standards .....   | 3        |
| 1.3 Safety and Usage Precautions .....                            | 3        |
| <b>2.0 G Series/SpeedCheck Cabinet Door Replacement Kit</b> ..... | <b>5</b> |
| <b>3.0 Compatible Systems</b> .....                               | <b>5</b> |
| 3.1 Supported Cabinets .....                                      | 6        |
| <b>4.0 Installation Procedure</b> .....                           | <b>7</b> |
| 4.1 Removing the Existing Door .....                              | 7        |
| 4.2 Optional Draw Latch .....                                     | 7        |
| 4.3 Installing Replacement Door .....                             | 9        |
| 4.4 Door Closing and Latching .....                               | 9        |

## 1.0 Warnings and Precautions

The following symbols indicate important safety warnings and precautions throughout this guide:



WARNING indicates that serious bodily harm or death may result from failure to adhere to the precautions.



CAUTION indicates that damage to equipment may result if the instructions are not followed.



NOTE suggests optimal conditions and provides additional information.

### 1.1 Warranty Disclaimer

---

This guide will familiarize you with the features and installation of the G Series/SpeedCheck replacement cabinet door kit. Failure to comply with the use, storage, maintenance, installation or placement instructions detailed in this guide could void the warranty.

### 1.2 Standards

---

Perform all installation, wiring, grounding and maintenance in conformance with local building and electrical codes. Adherence to the National Electrical Code (NEC) is mandatory to comply with any certification markings. Non-adherence to code may void the warranty.

### 1.3 Safety and Usage Precautions

---



Use extreme caution when handling the batteries as they can generate hazardous short-circuit currents. Remove all jewelry (bracelets, metal-strap watches, etc.) before entering the cabinet.



Before lifting any heavy or bulky equipment, ensure the load is secured so moving parts do not shift, and that it can be lifted as far as needed without back strain or loss of grip. Installation may require more than one person.



Ensure the equipment is not powered during installation and wiring of the system.



Recheck all completed wiring for proper polarity prior to energizing the system.

**NOTE**

Changes or modifications to Carmanah equipment not expressly approved by Carmanah could void both the user's authority to operate the equipment and the warranty.

**NOTE**

All Carmanah traffic products use a constant-current LED output circuit. Not all traffic beacons are compatible with this output. Please contact Carmanah for additional information and guidance when adding or replacing beacons or other hardware.

**WARNING**

Product can have sharp edges. Accidental movement of hinged components can cause injury.

**NOTE**

**This guide is specific to replacing the cabinet door for a G Series beacon system or SpeedCheck radar speed sign and is not a replacement for the complete product user manual for each system respectively.**

Visit [support.carmanah.com](https://support.carmanah.com) to download the complete product user manual.

## 2.0 G Series/SpeedCheck Cabinet Door Replacement Kit

The replacement kit includes:

- Replacement door with riveted hinge (1)
- Foam kit for the door seal (1)
- Police lock (1)
- Ground wire hardware set (1)
- Rivets to secure the new door (4)
- Security screws and nyloc nuts to secure the door as an alternative to using rivets (4)
- Ground wire (1)
- User Interface label (1)
- Keep door closed label (1)

## 3.0 Compatible Systems

This guide is for installing one of the replacement cabinet door kits into any of the following compatible Carmanah systems:

- G Series – SC315-G, R820-G, R247-G, R829-G
- SpeedCheck – SPEEDCHECK-15, SPEEDCHECK-18
  - With external power cabinet option
  - Including advisory and variable speed variants

The replacement cabinet door kit allows you to replace a damaged cabinet door in the field. Damage can occur if the door is left not properly closed and latched. Refer to the individual product user manual for more details at [support.carmanah.com](http://support.carmanah.com).

This replacement door kit is not compatible with older legacy SC315 cabinets which are smaller in size, or for G Series cabinets that contain the ramp style strike plate. See [Section 3.1](#) for more information.

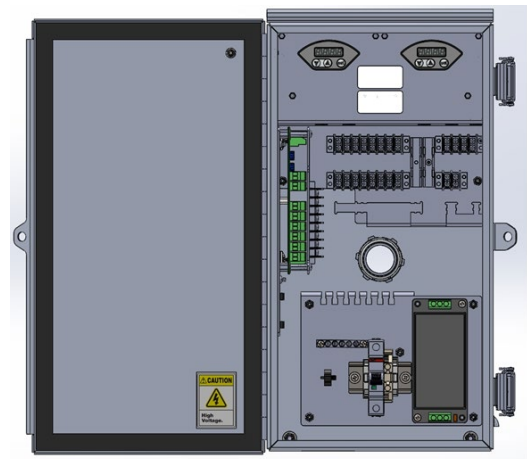
**The images in this guide may differ from your cabinet-based system. They are for illustrative purposes only.**



**G Series Cabinet**



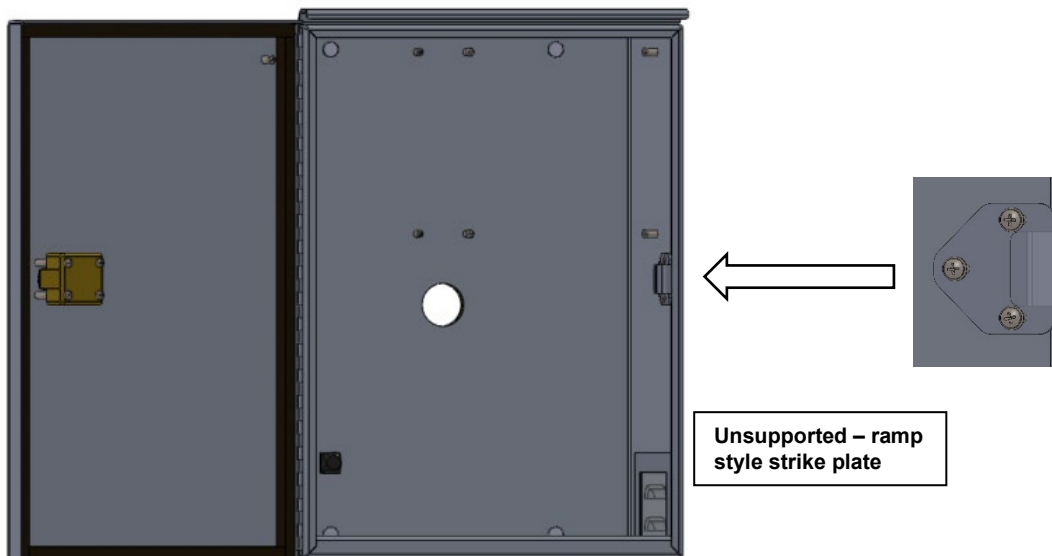
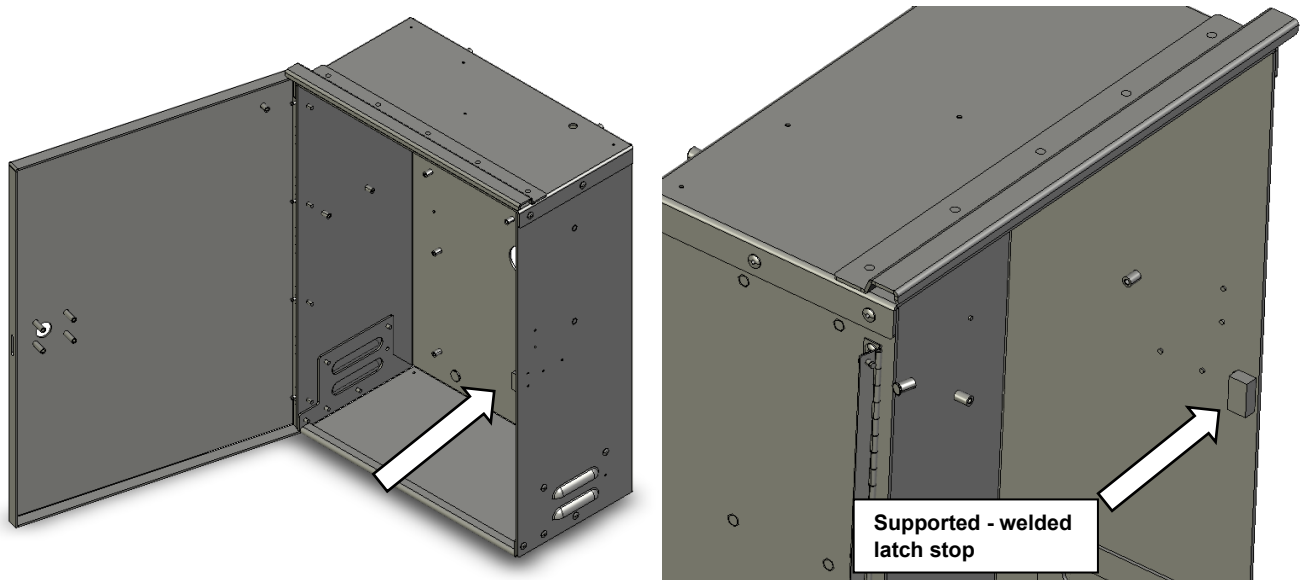
**SpeedCheck Cabinet  
(AC version shown)**



**Legacy SC315 Cabinet  
(unsupported)**

### 3.1 Supported Cabinets

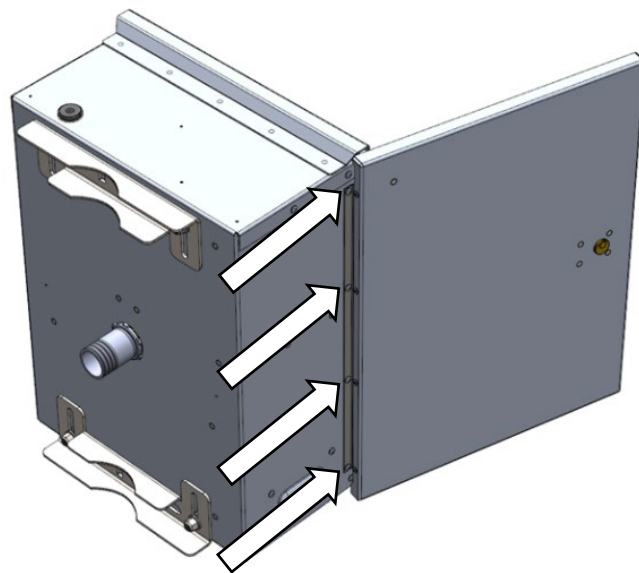
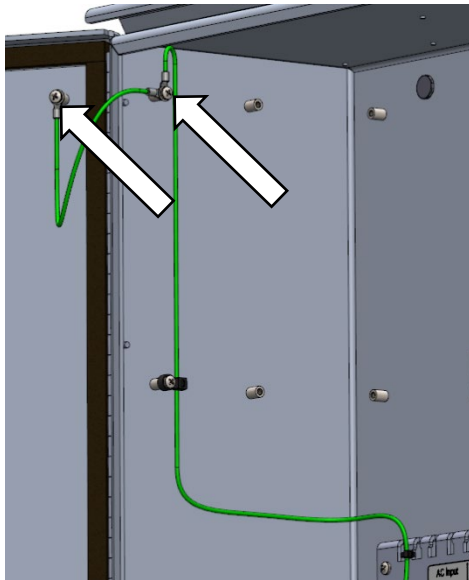
The replacement door kits are **only supported by cabinets that contain a welded latch stop** as shown below. These cabinets started shipping in 2019 Q3. Previous versions used a screwed in ramp style strike plate. If you have the older style cabinets then you will need to replace the entire cabinet assembly.



## 4.0 Installation Procedure

### 4.1 Removing the Existing Door

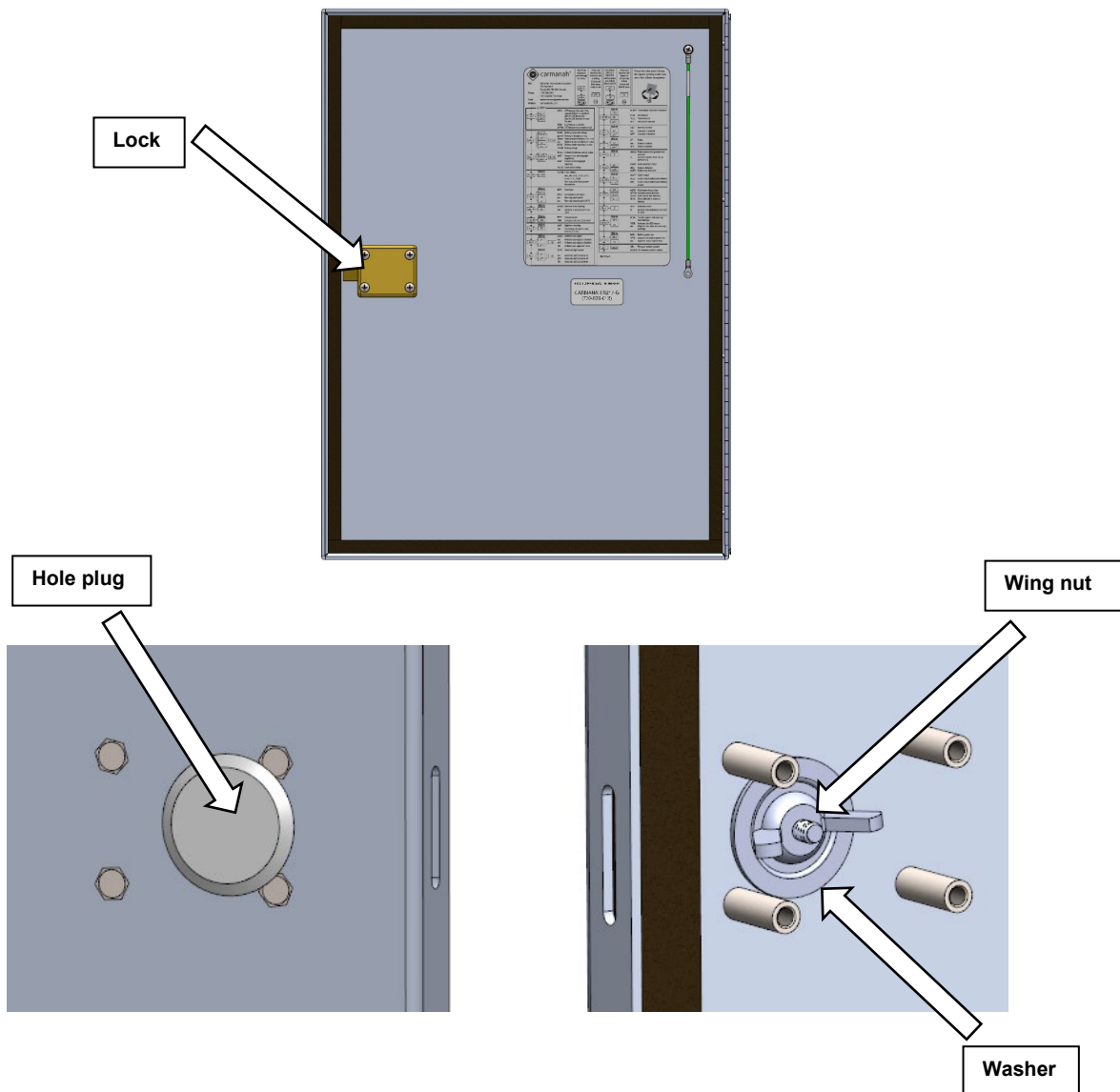
1. Remove power to the system. For AC-powered systems, turn off the circuit breaker in the cabinet and for solar-powered systems remove the battery and solar fuses.
2. Remove the ground wire from the interior cabinet threaded insert.
3. Using a 3/16" drill bit, drill out the four rivets securing the door hinge to the cabinet and remove the door. Ensure you do not enlarge the holes in the drilling process.
4. Ensure all rivets have been cleared from the mounting holes and all metal debris has been removed from inside of the cabinet.



## 4.2 Optional Draw Latch

If your current cabinet door contains the draw latch option latch you will need to remove the hole plug and swap it into the replacement door.

1. Remove the four screws securing the lock on the replacement door. Remove the lock since it is not used for the draw latch option.
2. Remove the hole plug, wing nut and washer from the existing door.
3. Install the hole plug into the replacement door. Install the hole plug washer and wing nut on the inside of the replacement door and tighten firmly.

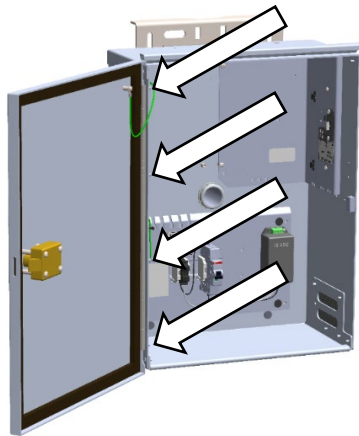




## 4.3 Installing Replacement Door

The replacement door can be secured using the included rivets or screws/nuts. Choose **one** of the methods below.

1. **Option 1 - Using rivets** - Install the replacement door and secure with the four included rivets. Using temporary Cleco fasteners (not included) can be helpful in retaining the cabinet door in place while riveting. Ensure rivets are flush and fully seated before securing.
2. **Option 2 - Using security screws & nuts** - Install the replacement door and secure with the four included security screws and nyloc nuts. Tighten each screw and nut.



## 4.4 Door Closing and Latching

To ensure the door closes and latches properly, follow the steps below:

1. Apply power back to the system and ensure it is fully operational.
2. Push in firmly on the middle right edge of the door where the lock area is.
  - a. If your cabinet has the padlock latch option then you will just make sure the latch closes fully and you're able to affix your lock securely.
3. Ensure you hear the lock latch make an audible "click" as it springs outwards behind the door latch stop.
4. Pull back on the door to make sure it is now closed and locked.
5. Gently tap on along the edge of the door to ensure there is no "play" and the gasket has a good seal.



Failure to follow these steps can result in the door not fully closing and latching. This can result in the door staying ajar and possible damage or injury resulting in the door hinge rivets failing.





© 2021 Carmanah Technologies Corporation

**Technical Support:**

Email: [customersupport@carmanah.com](mailto:customersupport@carmanah.com)

Toll Free: 1.877.722.8877 (US & Canada)

Worldwide: 1.250.380.0052

Fax: 1.250.380.0062

Web: [carmanah.com](http://carmanah.com)