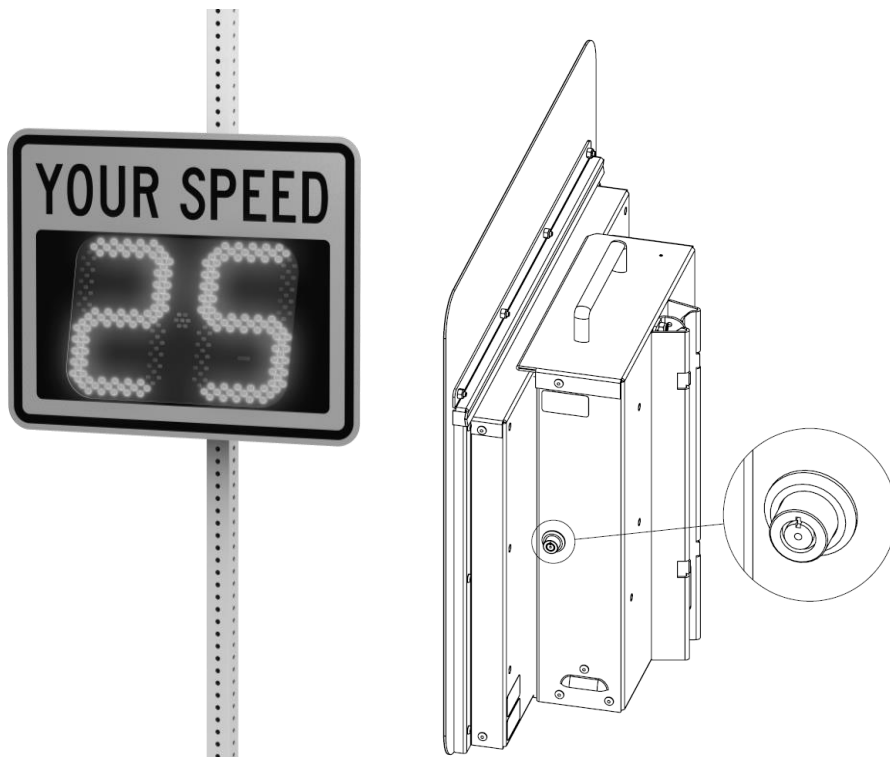


For the SPEEDCHECK-12



90066\_REPLACEMENT-GUIDE\_SPEEDCHECK-12-Lock\_RevA

## Table of Contents

|   |          |
|---|----------|
| <b>1.0 Warnings and Precautions</b> .....     | <b>3</b> |
| 1.1 Warranty Disclaimer .....                 | 3        |
| 1.2 Standards .....                           | 3        |
| 1.3 Safety and Usage Precautions .....        | 3        |
| <b>2.0 System Components</b> .....            | <b>5</b> |
| <b>3.0 Tools and Materials Required</b> ..... | <b>5</b> |
| <b>4.0 Installation</b> .....                 | <b>6</b> |
| 4.1 Opening Rear Enclosure .....              | 6        |
| 4.2 Installing Replacement Lock .....         | 7        |

## 1.0 Warnings and Precautions

The following symbols indicate important safety warnings and precautions throughout this guide:



WARNING indicates that serious bodily harm or death may result from failure to adhere to the precautions.



CAUTION indicates that damage to equipment may result if the instructions are not followed.



NOTE suggests optimal conditions and provides additional information.

### 1.1 Warranty Disclaimer

---

This manual will familiarize you with the features, operation standards and installation of Carmanah's SPEEDCHECK-12 replacement rear enclosure lock. Failure to comply with the use, storage, maintenance, installation or placement instructions detailed in this manual could void the warranty.

### 1.2 Standards

---

Perform all installation, wiring, grounding and maintenance in conformance with local building and electrical codes. Adherence to the National Electrical Code (NEC) is mandatory to comply with any certification markings. Non-adherence to code may void the warranty.

### 1.3 Safety and Usage Precautions

---



Batteries are shipped fully charged. Use extreme caution when handling the batteries as they can generate hazardous short-circuit currents. Remove all jewelry (bracelets, metal-strap watches, etc.) before entering the cabinet.



Solar panels produce DC electricity when exposed to light and can therefore produce an electrical shock or burn. To render solar panels inoperative, remove them from sunlight or fully cover their front surface with an opaque material.



Before lifting any heavy or bulky equipment, ensure the load is secured so moving parts do not shift, and that it can be lifted as far as needed without back strain or loss of grip. Installation may require more than one person.



Ensure the equipment is not powered during installation and wiring of the system.



Recheck all completed wiring for proper polarity prior to energizing the system.



Changes or modifications to Carmanah equipment not expressly approved by Carmanah could void both the user's authority to operate the equipment and the warranty.



Product can have sharp edges. Accidental movement of hinged components can cause injury.



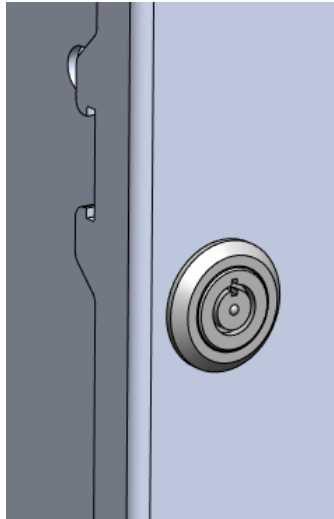
**This guide is specific to the SPEEDCHECK-12 replacement rear enclosure lock installation and is not a replacement for the complete SPEEDCHECK-12 product user manual.**

Visit [support.carmanah.com](https://support.carmanah.com) to download the complete product user manual.

## 2.0 System Components

The SPEEDCHECK-12 replacement rear enclosure lock consists of the following item:

1. Push lock with jam nut and keys (1)



## 3.0 Tools and Materials Required

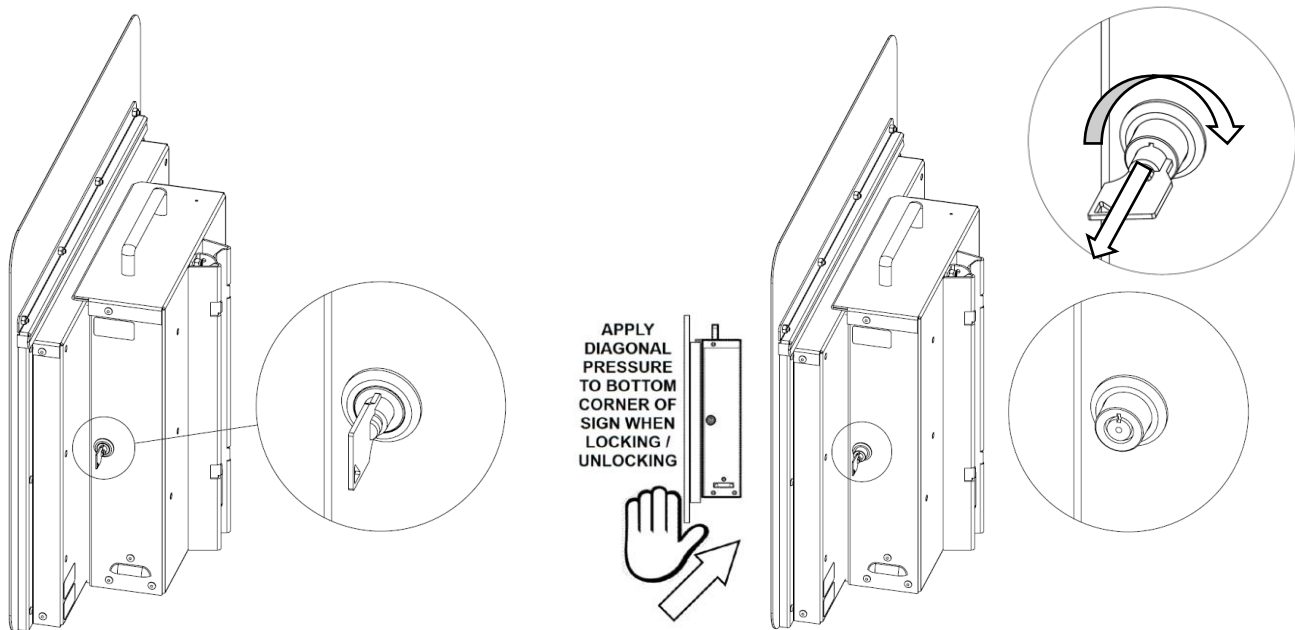
The following tools and materials may be required to install the replacement rear enclosure lock into your SPEEDCHECK-12 system:

1. Socket set with 1" socket

## 4.0 Installation

### 4.1 Opening Rear Enclosure

1. To open SPEEDCHECK-12, insert included key into lock and rotate clockwise.
2. Apply diagonal pressure to the bottom right corner of the sign face then PULL on the key.
3. Once unlocked, the key can be removed.



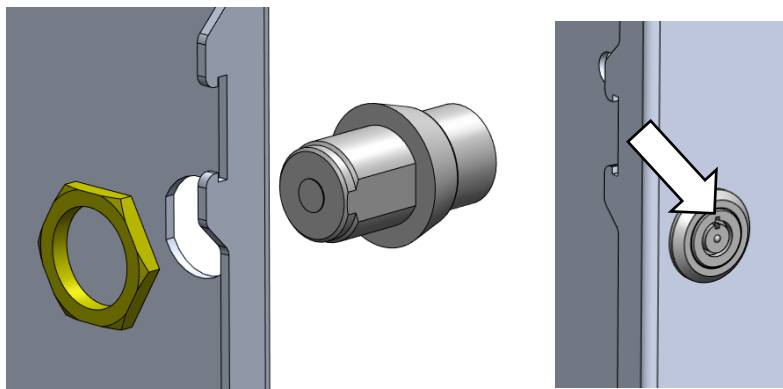
4. Swing the display enclosure away from the rear enclosure.

**NOTE**

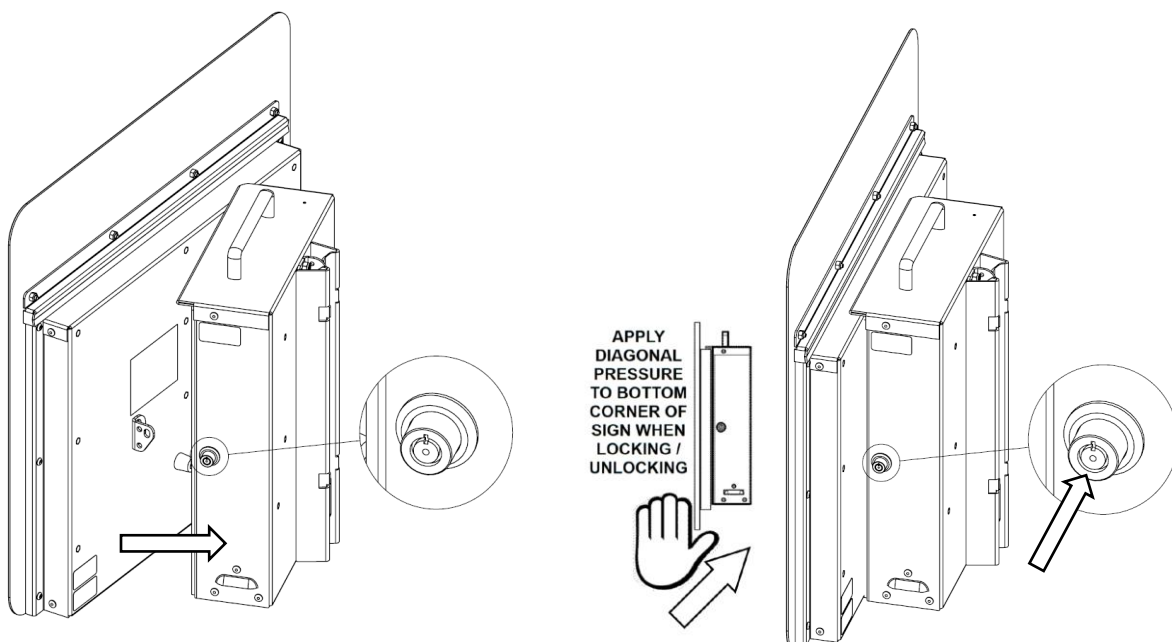
If you cannot gain access to the system due to a damaged lock, you will need to drill out the lock. Ensure all metal chips are removed to prevent system damaged caused by short circuits.

## 4.2 Installing Replacement Lock

1. Disconnect power to the system by opening all battery fuse holders or switch off the breaker (to the right).
2. Remove the existing lock jam nut with a 1" socket and remove the push lock body from the rear enclosure.
3. Insert push lock body into opening in rear enclosure side with slot facing up, towards the rear enclosure handle.
4. Install jam nut with flat side toward rear enclosure wall and tighten with a 1" socket. Unlock the lock to ensure proper clearance with the socket.



5. Test the new lock by unlocking and locking.
6. Reconnect power to the system.
7. To close, push the display enclosure against the rear enclosure and then apply diagonal pressure in the bottom right corner of the sign face. Once fully closed then PUSH the lock to secure in place.





© 2021 Carmanah Technologies Corporation

**Technical Support:**

Email: [customersupport@carmanah.com](mailto:customersupport@carmanah.com)

Toll Free: 1.877.722.8877 (US & Canada)

Worldwide: 1.250.380.0052

Fax: 1.250.380.0062

Web: [carmanah.com](http://carmanah.com)