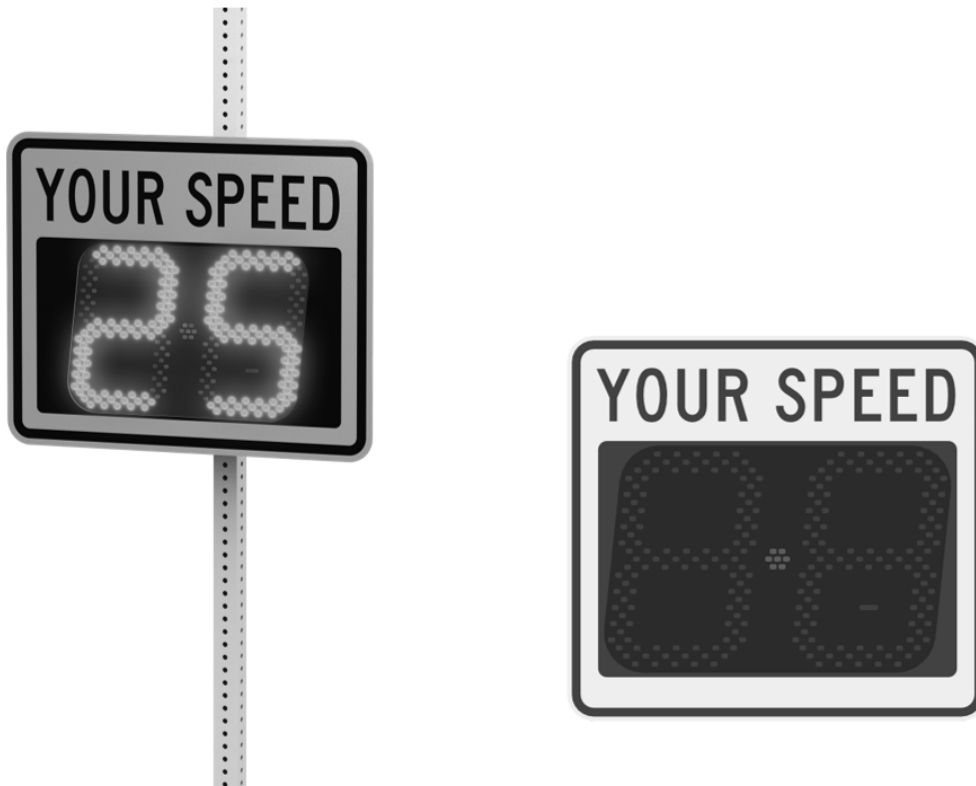


For the SPEEDCHECK-12



90067_REPLACEMENT-GUIDE_SPEEDCHECK-12-Window_RevB

Table of Contents

Table of Contents	2
1.0 Warnings and Precautions	3
1.1 Warranty Disclaimer	3
1.2 Standards	3
1.3 Safety and Usage Precautions	3
2.0 System Components	5
3.0 Tools and Materials Required	5
4.0 Installation	6
4.1 Opening Rear Enclosure	6
4.2 Removing Display Enclosure.....	7
4.3 Removing Display Assembly	7
4.4 Removing Static Sign (If Needed)	8
4.5 Removing Polycarbonate Window (If Needed).....	8
4.6 Installing Polycarbonate Window.....	9
4.7 Installing Static Sign	9
4.8 Display Enclosure Reassembly	9
4.9 System Reassembly	10

1.0 Warnings and Precautions

The following symbols indicate important safety warnings and precautions throughout this guide:



WARNING indicates that serious bodily harm or death may result from failure to adhere to the precautions.



CAUTION indicates that damage to equipment may result if the instructions are not followed.



NOTE suggests optimal conditions and provides additional information.

1.1 Warranty Disclaimer

This manual will familiarize you with the features, operation standards and installation of Carmanah's SPEEDCHECK-12 polycarbonate window or static sign. Failure to comply with the use, storage, maintenance, installation or placement instructions detailed in this manual could void the warranty.

1.2 Standards

Perform all installation, wiring, grounding and maintenance in conformance with local building and electrical codes. Adherence to the National Electrical Code (NEC) is mandatory to comply with any certification markings. Non-adherence to code may void the warranty.

1.3 Safety and Usage Precautions



Batteries are shipped fully charged. Use extreme caution when handling the batteries as they can generate hazardous short-circuit currents. Remove all jewelry (bracelets, metal-strap watches, etc.) before entering the cabinet.



Solar panels produce DC electricity when exposed to light and can therefore produce an electrical shock or burn. To render solar panels inoperative, remove them from sunlight or fully cover their front surface with an opaque material.



Before lifting any heavy or bulky equipment, ensure the load is secured so moving parts do not shift, and that it can be lifted as far as needed without back strain or loss of grip. Installation may require more than one person.



Ensure the equipment is not powered during installation and wiring of the system.



Recheck all completed wiring for proper polarity prior to energizing the system.



Changes or modifications to Carmanah equipment not expressly approved by Carmanah could void both the user's authority to operate the equipment and the warranty.



Product can have sharp edges. Accidental movement of hinged components can cause injury.



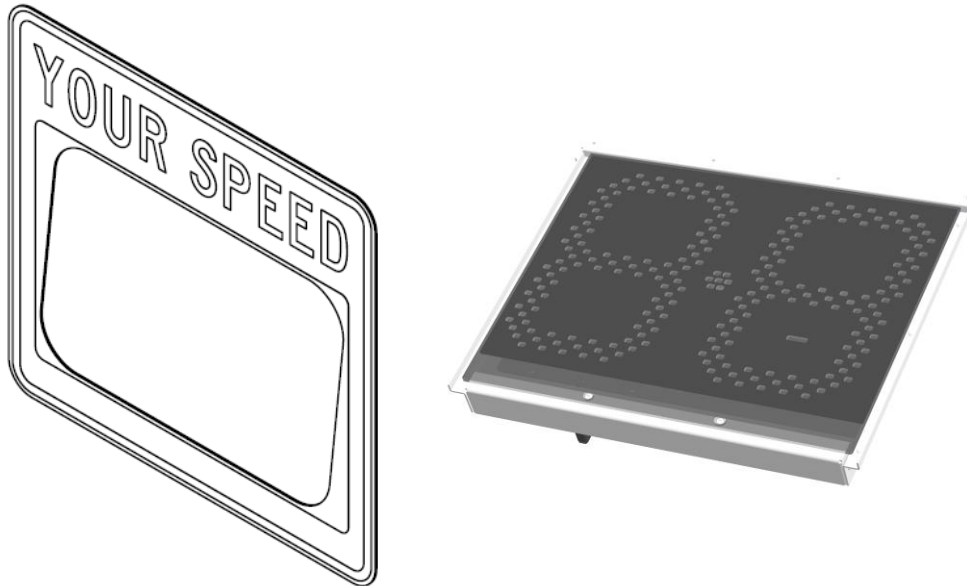
This guide is specific to the SPEEDCHECK-12 replacement window and/or static sign installation and is not a replacement for the complete SPEEDCHECK-12 product user manual.

Visit support.carmanah.com to download the complete product user manual.

2.0 System Components

The SPEEDCHECK-12 static sign and window come as individual replaceable items:

1. Static sign, size and type varies (1)
2. Polycarbonate window, SPEEDCHECK-12 (1)

**NOTE**

This document includes instructions for how to replace the static sign and polycarbonate window. These items can be replaced individually from each other and do not require to be replaced as a pair.

3.0 Tools and Materials Required

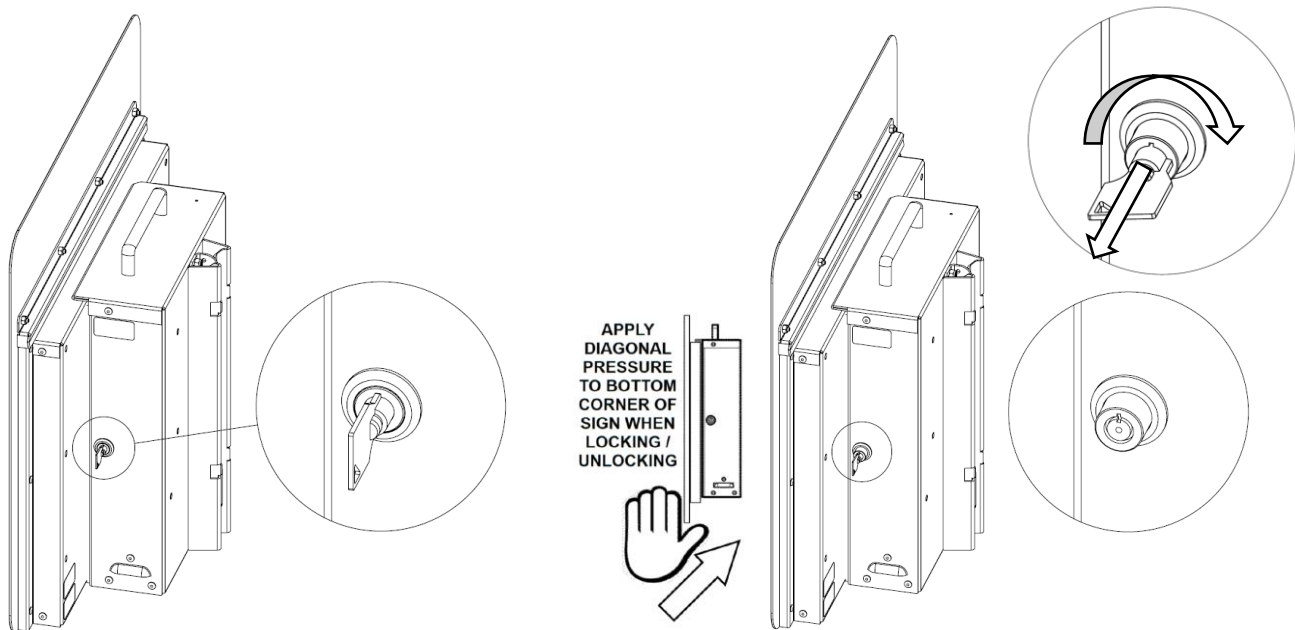
The following tools and materials may be required to install the polycarbonate window or static sign into your SPEEDCHECK-12 system:

1. Socket set
2. Multi-bit screwdriver with 5/32" pin-in hex security bit

4.0 Installation

4.1 Opening Rear Enclosure

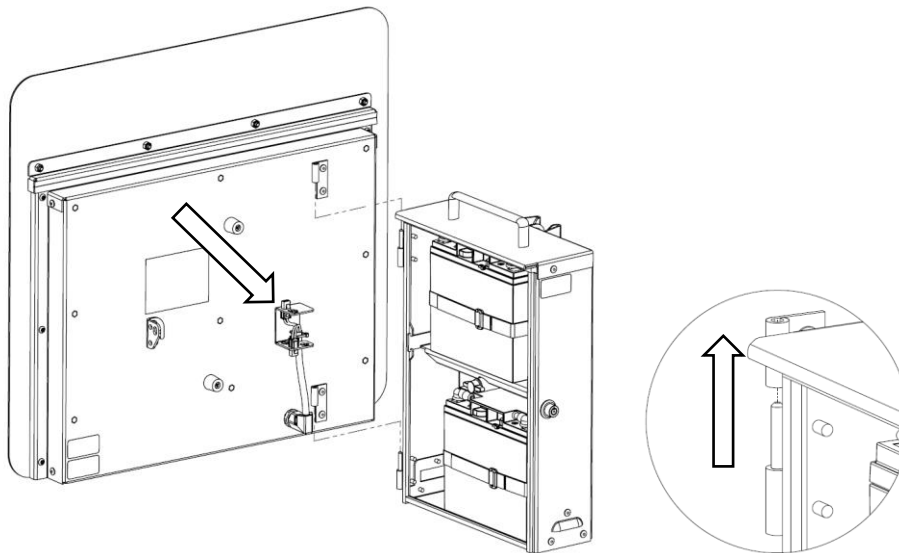
1. To open SPEEDCHECK-12, insert included key into lock and rotate clockwise.
2. Apply diagonal pressure to the bottom right corner of the sign face then PULL on the key.
3. Once unlocked, the key can be removed.



4. Swing the display enclosure away from the rear enclosure.

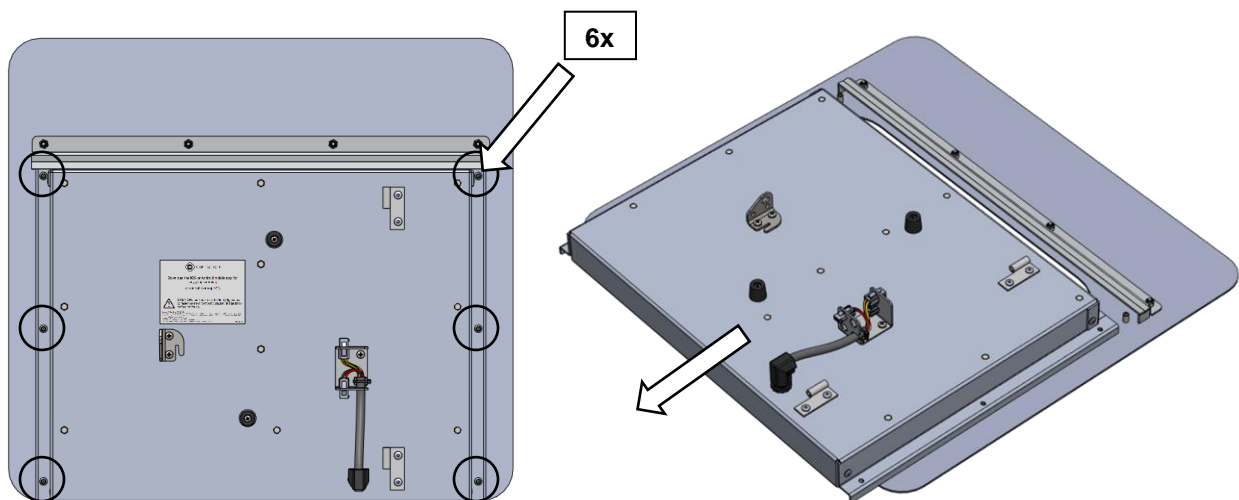
4.2 Removing Display Enclosure

1. Disconnect power to the system by opening all battery fuse holders or switch off the breaker (to the right).
2. Disconnect all 2-pin and 4-pin connections at the display enclosure bracket.
3. Lift the display enclosure off of the rear enclosure hinges and set aside.



4.3 Removing Display Assembly

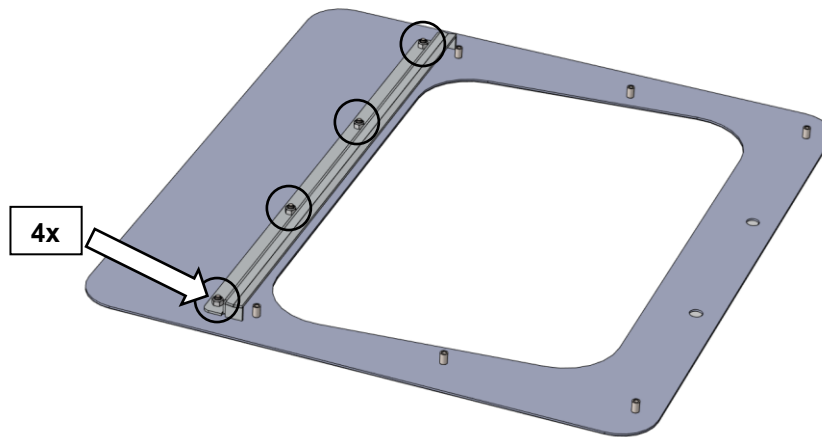
1. Lay the display enclosure on a clean flat surface.
2. Remove the six security screws along the rear perimeter of the display assembly.
3. Carefully slide the display assembly down and away from the top rail drip shield (this may require a bit of force to come loose).



4.4 Removing Static Sign (If Needed)

NOTE Only perform these steps if replacing the static sign.

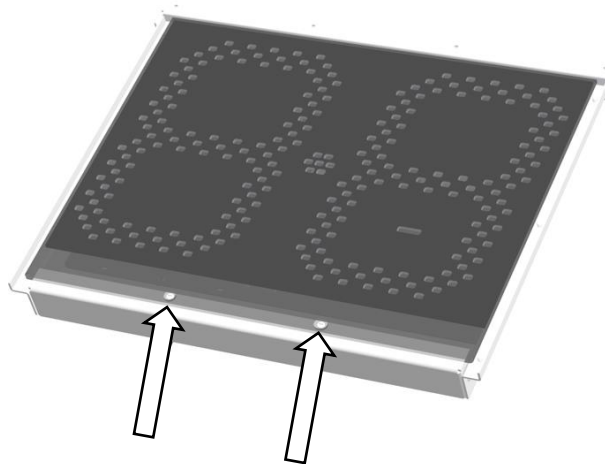
1. Remove the four nyloc nuts and remove the top rail drip shield.



4.5 Removing Polycarbonate Window (If Needed)

NOTE Only perform these steps if replacing the polycarbonate window.

1. Flip the display assembly on its back and expose the polycarbonate window.
2. Remove the two screws at the bottom of the display assembly and remove the polycarbonate window.



4.6 Installing Polycarbonate Window



Observe antistatic handling precautions when working with the polycarbonate window removed. Do not adjust any of the wiring or handle components on the circuit board.



Handle the polycarbonate window with care after the protective film has been removed to preventive unwanted scratches or damage to the surface.

1. Install the polycarbonate window onto the foam gasket of the display assembly with the protective glossy side/counter sunk holes facing up.
2. Secure the window with the two screws removed from [Section 4.5](#). Leave the window protective film on for now.

4.7 Installing Static Sign

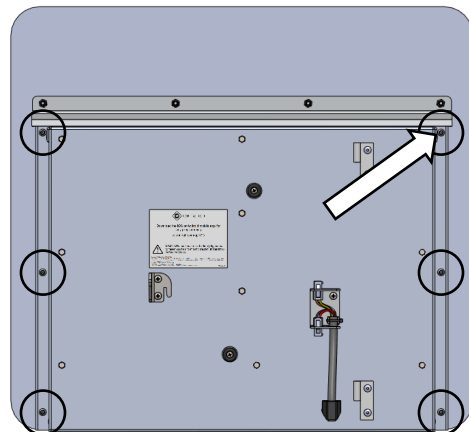
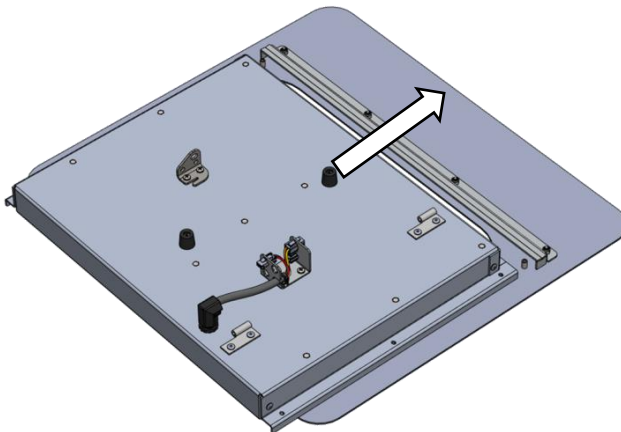
NOTE

The static signs come in various sizes, configurations and colors.

1. Install the top rail drip shield onto the new sign as shown below.
2. Secure the top rail with the four nuts from [Section 4.4](#).
3. Remove the protective film from the polycarbonate window if replaced in [Section 4.6](#).

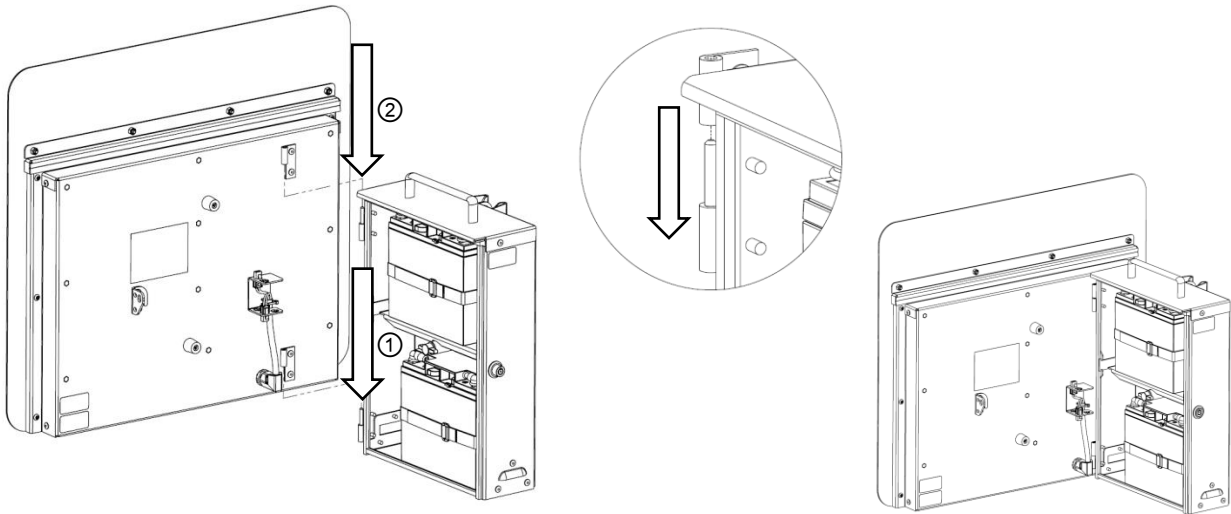
4.8 Display Enclosure Reassembly

1. Carefully slide the display assembly up into the top rail.
2. Adjust display assembly until all holes are lined up with the static sign threaded inserts.
3. Secure the assembly with the six security screws from [Section 4.3](#).

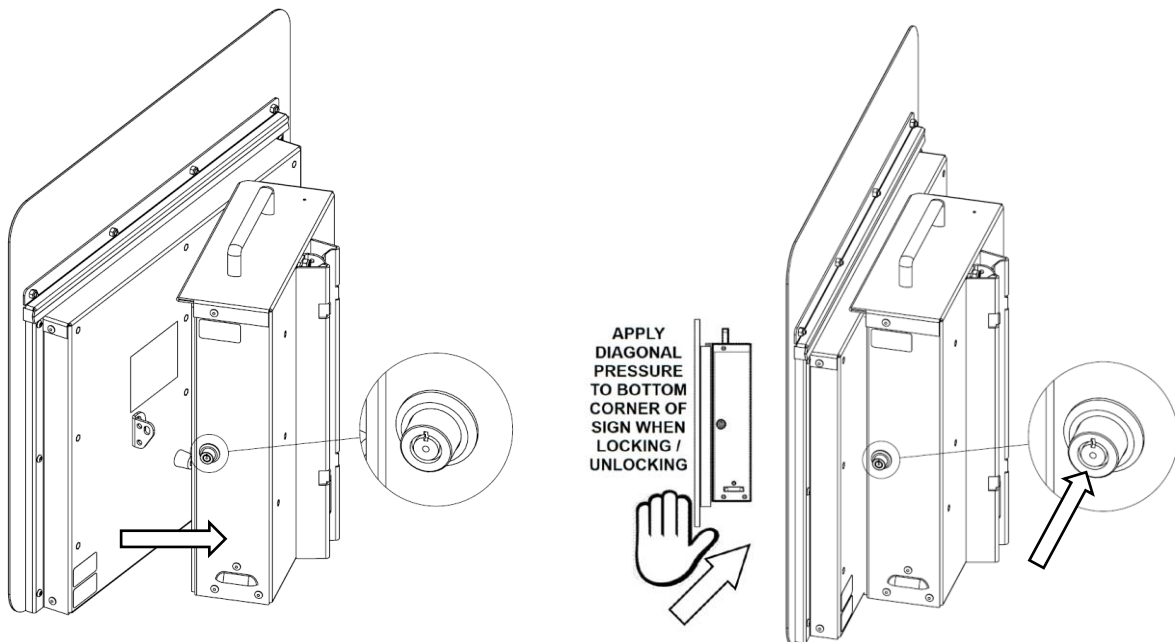


4.9 System Reassembly

1. Lift the display enclosure onto the rear enclosure hinges as shown below.



2. Reconnect all 2-pin/4-pin connections at the display enclosure bracket.
3. Reconnect power to the system by closing the battery fuse holder(s) or switch on the breaker (to the left).
4. To close, push the display enclosure against the rear enclosure and then apply diagonal pressure in the bottom right corner of the sign face. Once fully close, PUSH the lock to secure in place.





© 2022 Carmanah Technologies Corporation

Technical Support:

Email: customersupport@carmanah.com

Toll Free: 1.877.722.8877 (US & Canada)

Worldwide: 1.250.380.0052

Fax: 1.250.380.0062

Web: carmanah.com