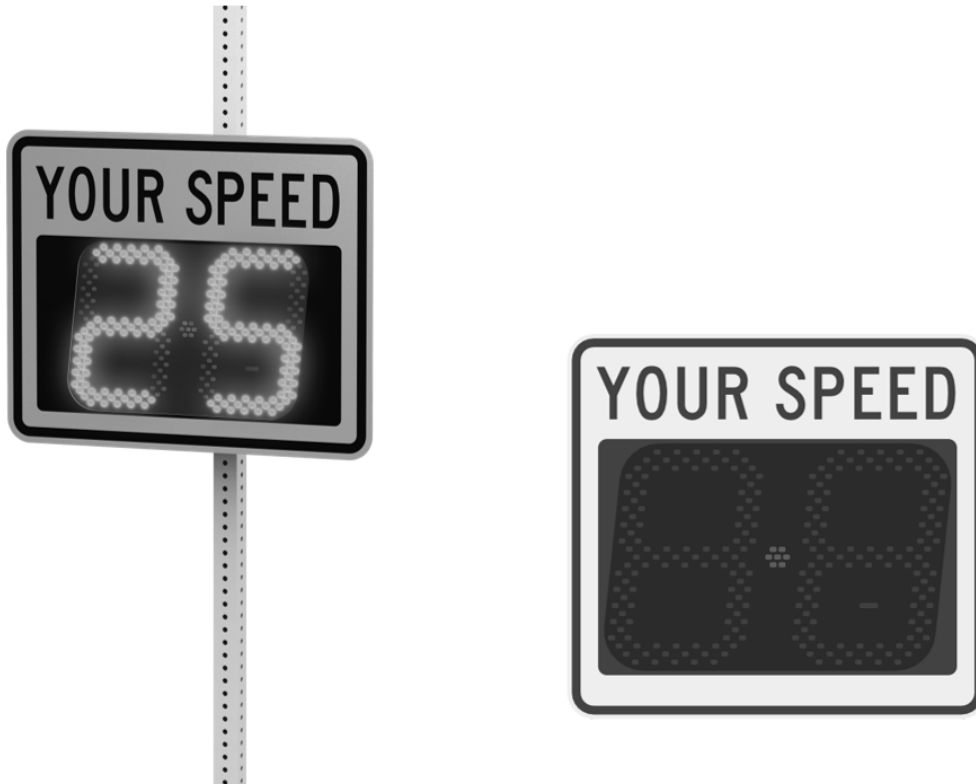




carmanah®

SpeedCheck® DISPLAY ASSEMBLY REPLACEMENT GUIDE

For the SPEEDCHECK-12



90755_REPLACEMENT-GUIDE_SPEEDCHECK-12-Display-Assembly_RevB

Table of Contents

Table of Contents	2
1.0 Warnings and Precautions	3
1.1 Warranty Disclaimer	3
1.2 Standards	3
1.3 Safety and Usage Precautions	3
2.0 System Components	5
3.0 Tools and Materials Required	5
4.0 Installation	6
4.1 Opening Rear Enclosure	6
4.2 Removing Display Enclosure	7
4.3 Removing Display Assembly	7
4.4 Installing New Display Assembly	8
4.5 System Reassembly	9

1.0 Warnings and Precautions

The following symbols indicate important safety warnings and precautions throughout this guide:



WARNING indicates that serious bodily harm or death may result from failure to adhere to the precautions.



CAUTION indicates that damage to equipment may result if the instructions are not followed.



NOTE suggests optimal conditions and provides additional information.

1.1 Warranty Disclaimer

This manual will familiarize you with the features, operation standards and installation of Carmanah's SPEEDCHECK-12 display assembly. Failure to comply with the use, storage, maintenance, installation or placement instructions detailed in this manual could void the warranty.

1.2 Standards

Perform all installation, wiring, grounding and maintenance in conformance with local building and electrical codes. Adherence to the National Electrical Code (NEC) is mandatory to comply with any certification markings. Non-adherence to code may void the warranty.

1.3 Safety and Usage Precautions



Batteries are shipped fully charged. Use extreme caution when handling the batteries as they can generate hazardous short-circuit currents. Remove all jewelry (bracelets, metal-strap watches, etc.) before entering the cabinet.



Solar panels produce DC electricity when exposed to light and can therefore produce an electrical shock or burn. To render solar panels inoperative, remove them from sunlight or fully cover their front surface with an opaque material.



Before lifting any heavy or bulky equipment, ensure the load is secured so moving parts do not shift, and that it can be lifted as far as needed without back strain or loss of grip. Installation may require more than one person.



Ensure the equipment is not powered during installation and wiring of the system.



Recheck all completed wiring for proper polarity prior to energizing the system.



Changes or modifications to Carmanah equipment not expressly approved by Carmanah could void both the user's authority to operate the equipment and the warranty.



Product can have sharp edges. Accidental movement of hinged components can cause injury.



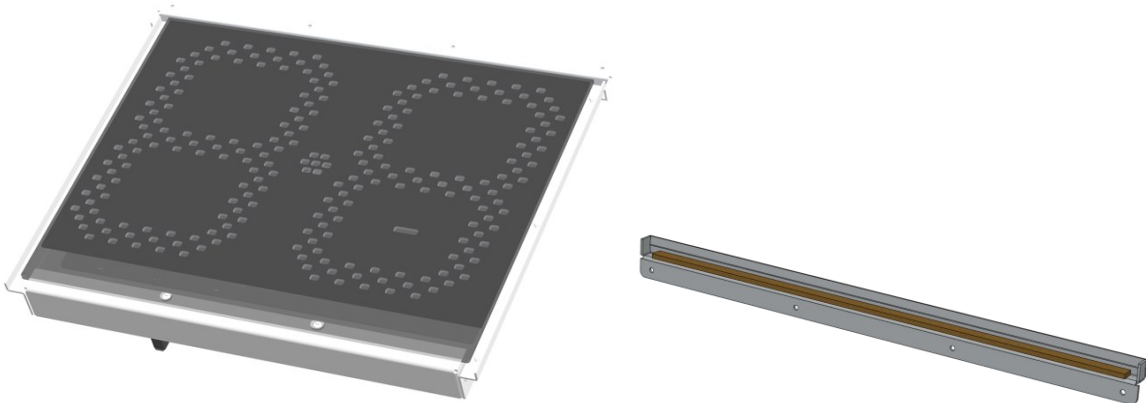
This guide is specific to the SPEEDCHECK-12 display assembly installation and is not a replacement for the complete SPEEDCHECK-12 product user manual.

Visit support.carmanah.com to download the complete product user manual.

2.0 System Components

The SPEEDCHECK-12 replacement display assembly consists of the following item:

1. Display assembly, SPEEDCHECK-12 (1)

**NOTE**

The display assembly comes with the following: polycarbonate window, top rail drip shield, LED display, strobe, radar, wiring, and controller.

3.0 Tools and Materials Required

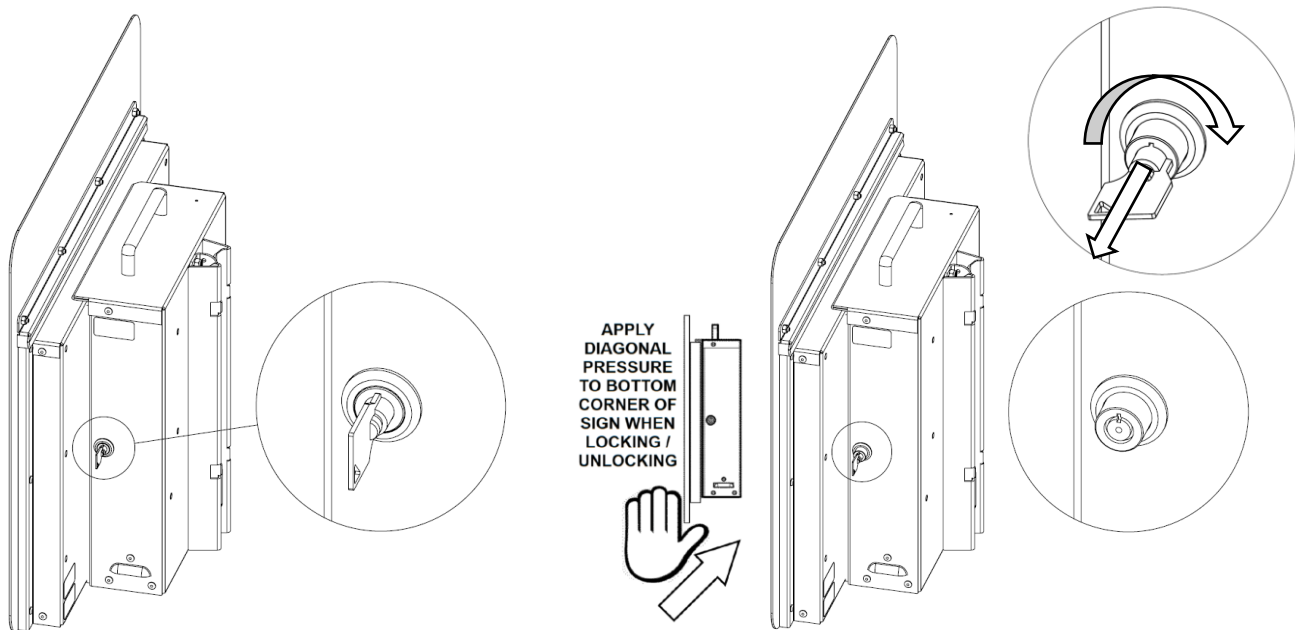
The following tools and materials may be required to install the display assembly into your SPEEDCHECK-12 system:

1. Socket set
2. Multi-bit screwdriver with 5/32" pin-in hex security bit

4.0 Installation

4.1 Opening Rear Enclosure

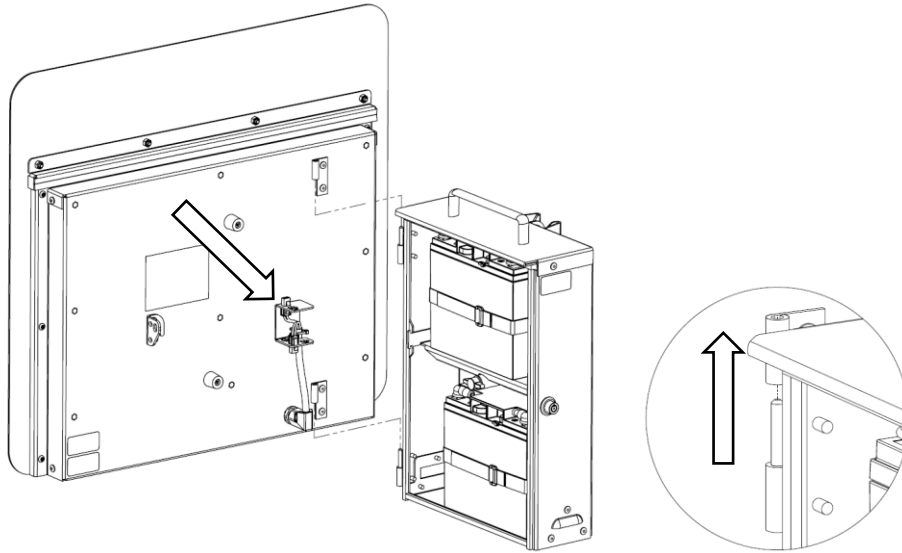
1. To open SPEEDCHECK-12, insert included key into lock and rotate clockwise.
2. Apply diagonal pressure to the bottom right corner of the sign face then PULL on the key.
3. Once unlocked, the key can be removed.



4. Swing the display enclosure away from the rear enclosure.

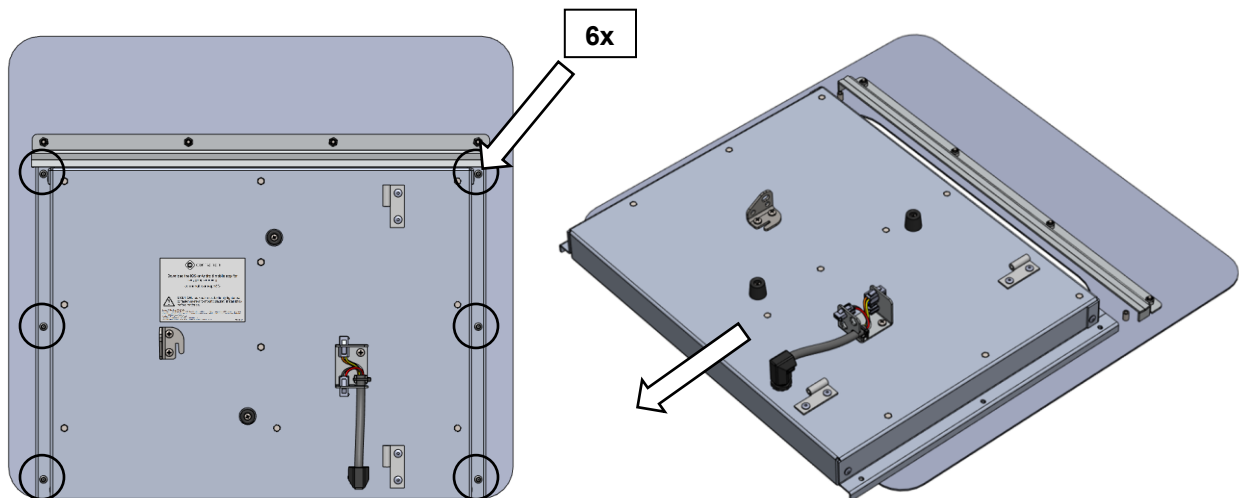
4.2 Removing Display Enclosure

1. Disconnect power to the system by opening all battery fuse holders or switch off the breaker (to the right).
2. Disconnect all 2-pin and 4-pin connections at the display enclosure bracket.
3. Lift the display enclosure off of the rear enclosure hinges and set aside.

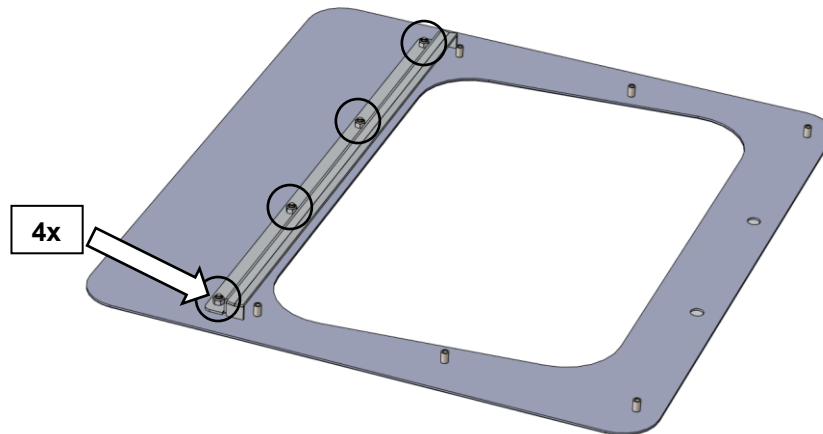


4.3 Removing Display Assembly

1. Lay the display enclosure on a clean flat surface.
2. Remove the six security screws along the rear perimeter of the display assembly.
3. Carefully slide the display assembly down and away from the top rail drip shield (this may require a bit of force to come loose).

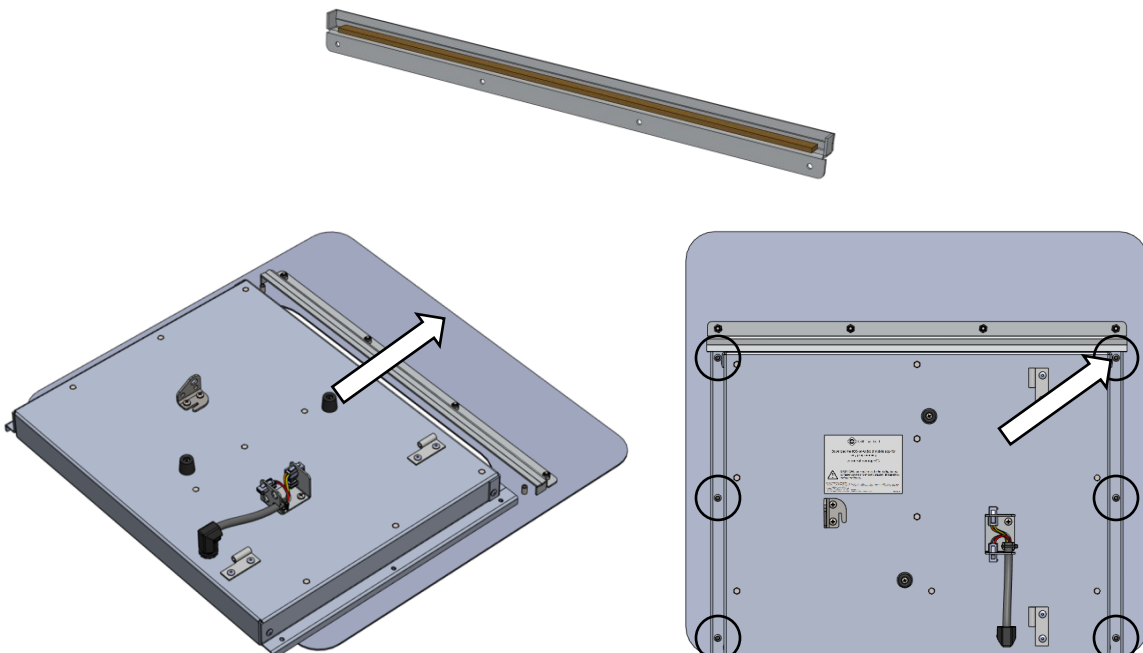


4. Remove the four nyloc nuts and remove the top rail drip shield. You will receive a new one with the replacement display assembly.
5. Retain the static sign to be reused.



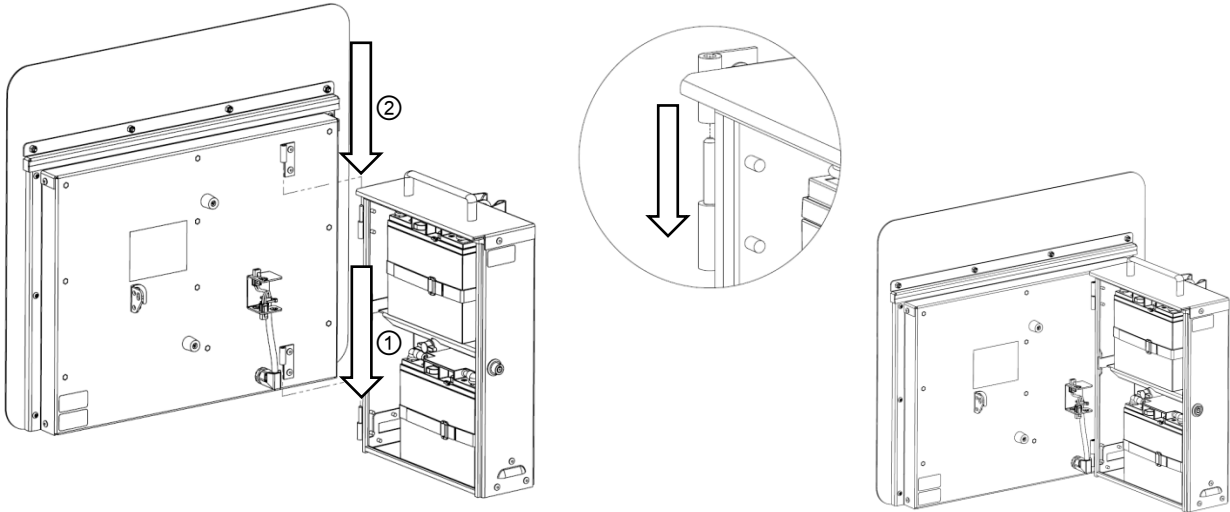
4.4 Installing New Display Assembly

1. Install the new top rail drip shield onto the new sign as shown below.
2. Secure the new top rail drip shield with the four nuts from [Section 4.3](#).
3. Carefully slide the new display assembly up into the top rail.
4. Adjust display assembly until all holes are lined up with the static sign threaded inserts.
5. Secure the assembly with the six security screws from [Section 4.3](#).

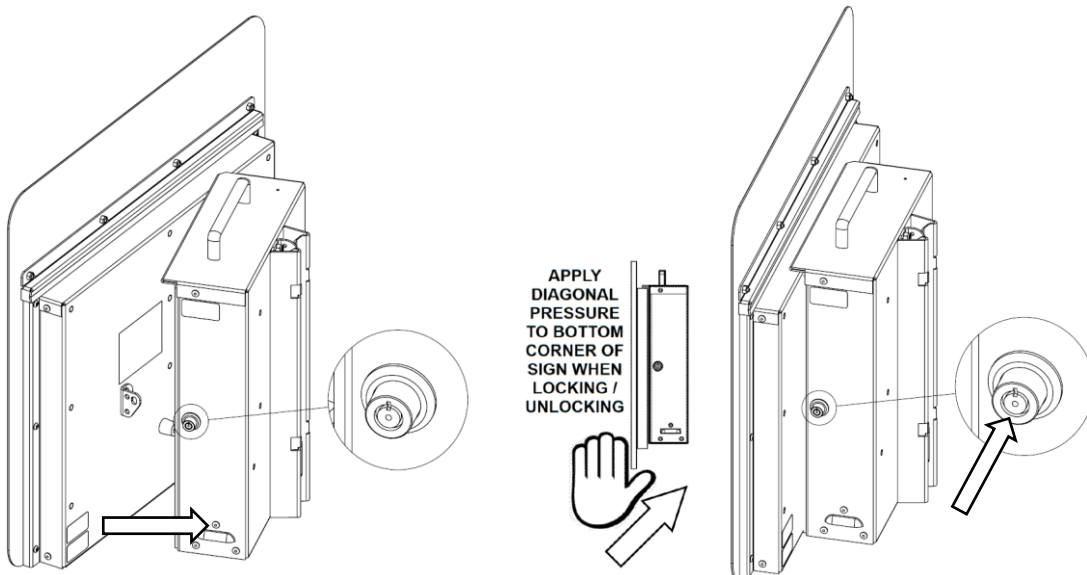


4.5 System Reassembly

1. Lift the display enclosure onto the rear enclosure hinges as shown below.



2. Reconnect all 2-pin/4-pin connections at the display enclosure bracket.
3. Reconnect power to the system by closing the battery fuse holder(s) or switch on the breaker (to the left).
4. To close, push the display enclosure against the rear enclosure and then apply diagonal pressure in the bottom right corner of the sign face. Once fully close, PUSH the lock to secure in place.


NOTE

Replacement display assembly may need programming to match speed settings for your application. Visit carmanah.com/appsc to download SpeedCheck Manager from the Apple App Store or Google Play Store to make adjustments.



© 2022 Carmanah Technologies Corporation

Technical Support:

Email: customersupport@carmanah.com

Toll Free: 1.877.722.8877 (US & Canada)

Worldwide: 1.250.380.0052

Fax: 1.250.380.0062

Web: carmanah.com