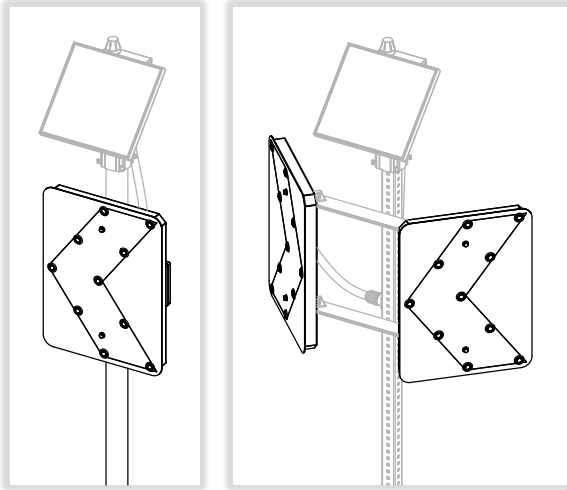




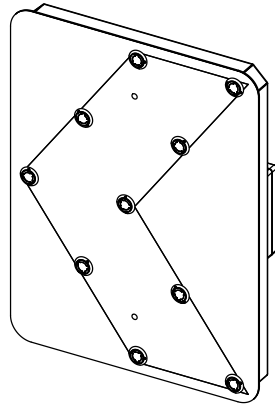
carmanah® MX CHEVRON MODULE
MX Series

INSTALL GUIDE

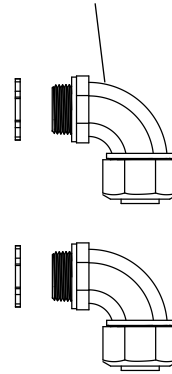
LEVEL 3



① Chevron sign module package contents

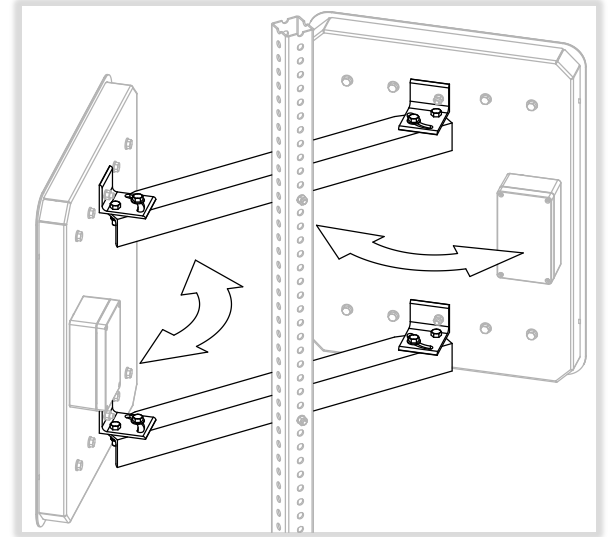


Two 0.75" liquid-tight flexible conduit fittings

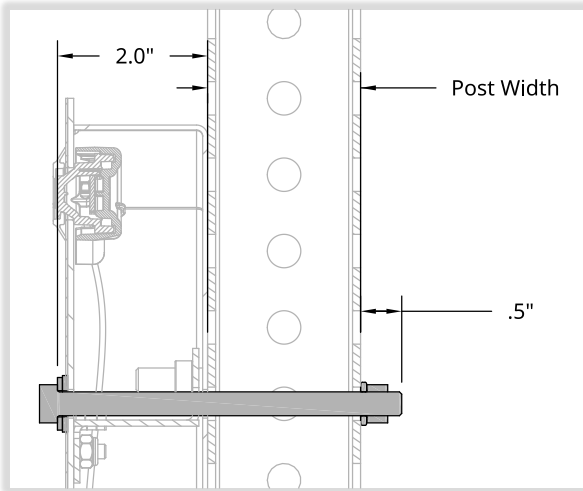


NOTE Chevron sign is reversible and can be installed pointing either right or left.

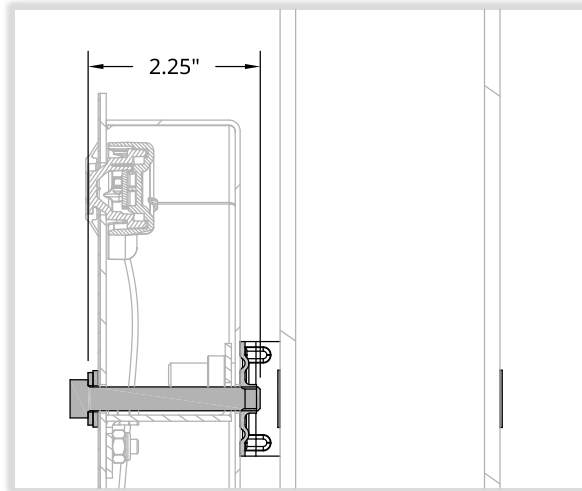
②a. Dual adjustable mount (see **LEVEL 4** Chevron Sign Dual Mount Kit Install Guide)



②b. Through-bolting (5/16" bolt kits available)

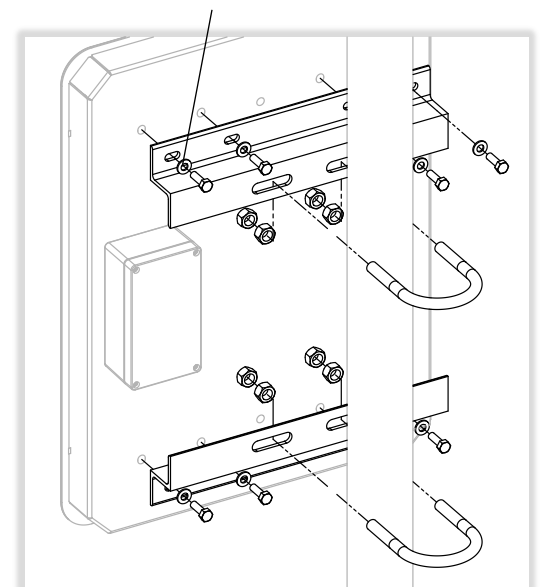


②c. Banding (bracket kit available)

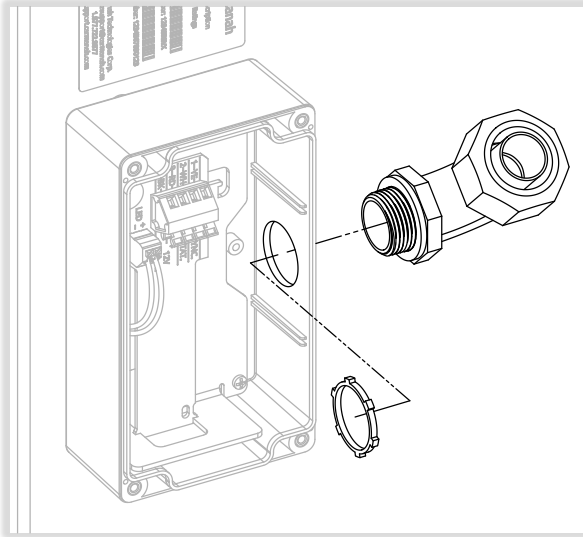


②d. Z-bars (see **LEVEL 4** LED Sign Z-Bar Kit Install Guide)

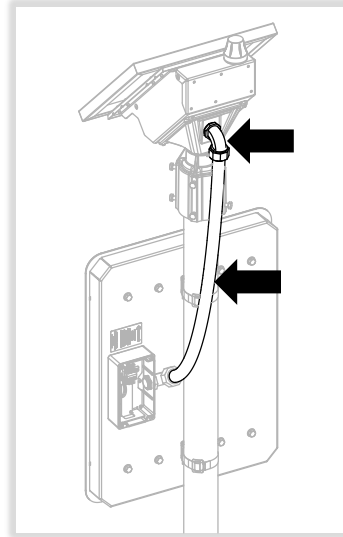
Install Z-bars using existing sign hardware



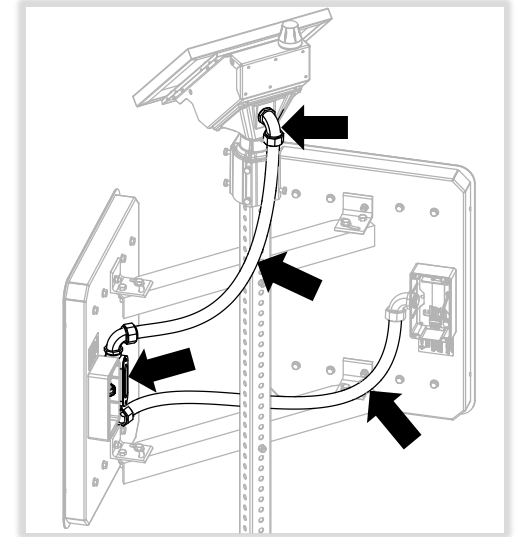
③ Install conduit fitting (single chevron sign)



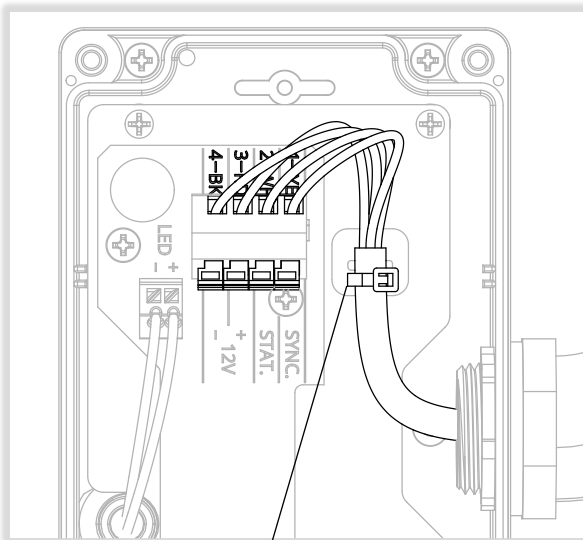
④a. Single chevron sign: install conduit fitting onto power module and route conduit. See power module install guide for details.



④b. Dual chevron signs with adjustable mount kit: install conduit fittings and conduit, see power module and dual mount kit install guides for details.

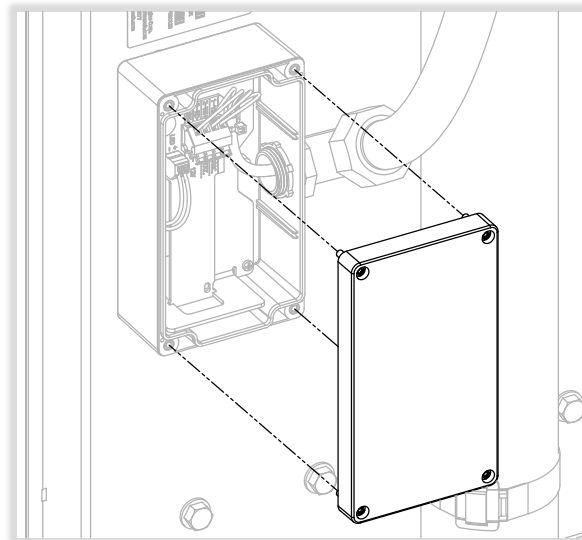


⑤ Wire power module to chevron sign



Secure cable jacket with cable tie as shown

⑥ Install cover(s)



TO COMPLETE SETUP: Use MX Field App to program/link modules and change default settings. Download: carmanah.com/app



FOR REMOTE ACCESS: Log into MX Cloud: MXcloud.live

Maintenance

Periodically clean the surface of the product with water and a soft cloth. A mild non-abrasive cleanser can be used for more stubborn residue. Clean more frequently during drier months. Check for any damaged, missing or broken hardware.

Warranty

This product is covered by the Carmanah warranty. Failure to comply with the use, storage, maintenance or installation instructions detailed in the supplied documentation could void the warranty.

Email: customersupport@carmanah.com
Toll Free: 1.877.722.8877 (US & Canada)
Worldwide: 1.250.380.0052
Web: carmanah.com

NOTE: READ ALL INCLUDED INSTALL GUIDES BEFORE SYSTEM INSTALLATION