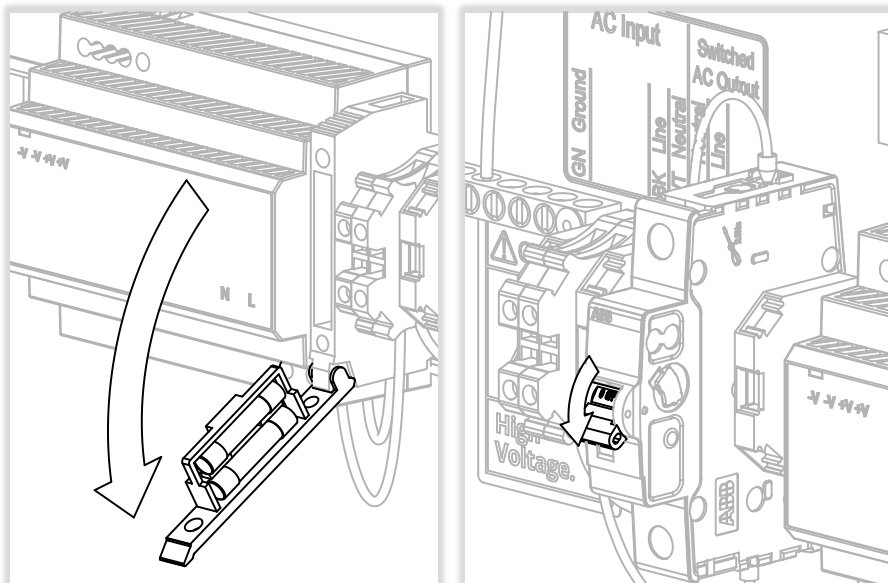


Ensure all equipment and wiring is de-energized during installation and wiring of the AC power supply.

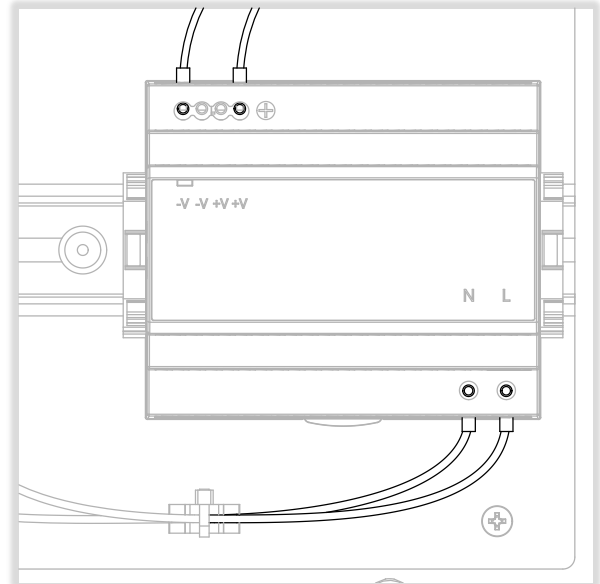
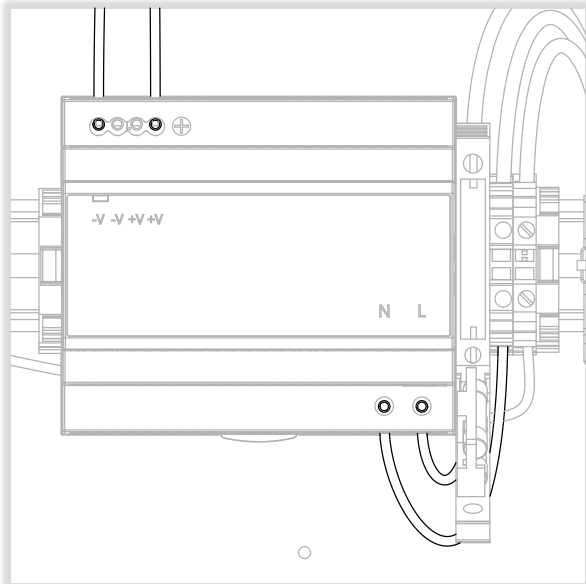
1. Disconnect power to system:
 - MX 300 AC Cabinet Module: open fuse holder.
 - MX 400 AC Cabinet Module: turn off breaker.





2. Remove wiring:

- AC input wires (white/black). Cap off temporarily during installation.
- DC output wires (red/black).

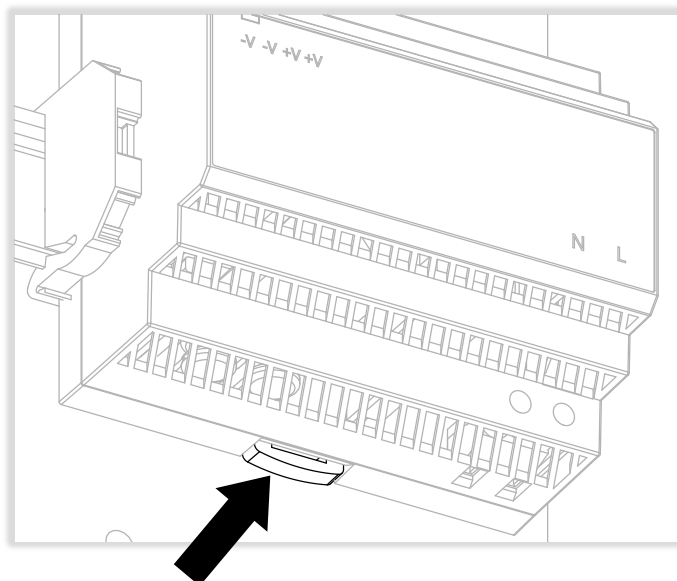


3. Gently pry upwards on power supply in location shown below to remove.

4. Install new power supply:

- Hook power supply over top edge of DIN rail. Push on front to snap into place.
- Reconnect AC input and DC output wires.

5. Reconnect power to system.



NOTE

Check MX Field App to ensure system voltage is outputting 14.8 – 15.2 V.