

NOTE

Assembly order depicted may be modified to suit preference and does not include cable routing steps.

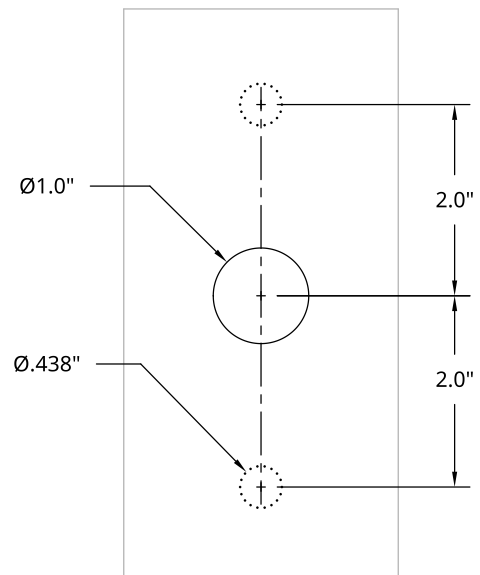
NOTE

Ensure beacon is aimed correctly before tightening nipples and set screws.

NOTE

Beacon housing may differ from that shown.

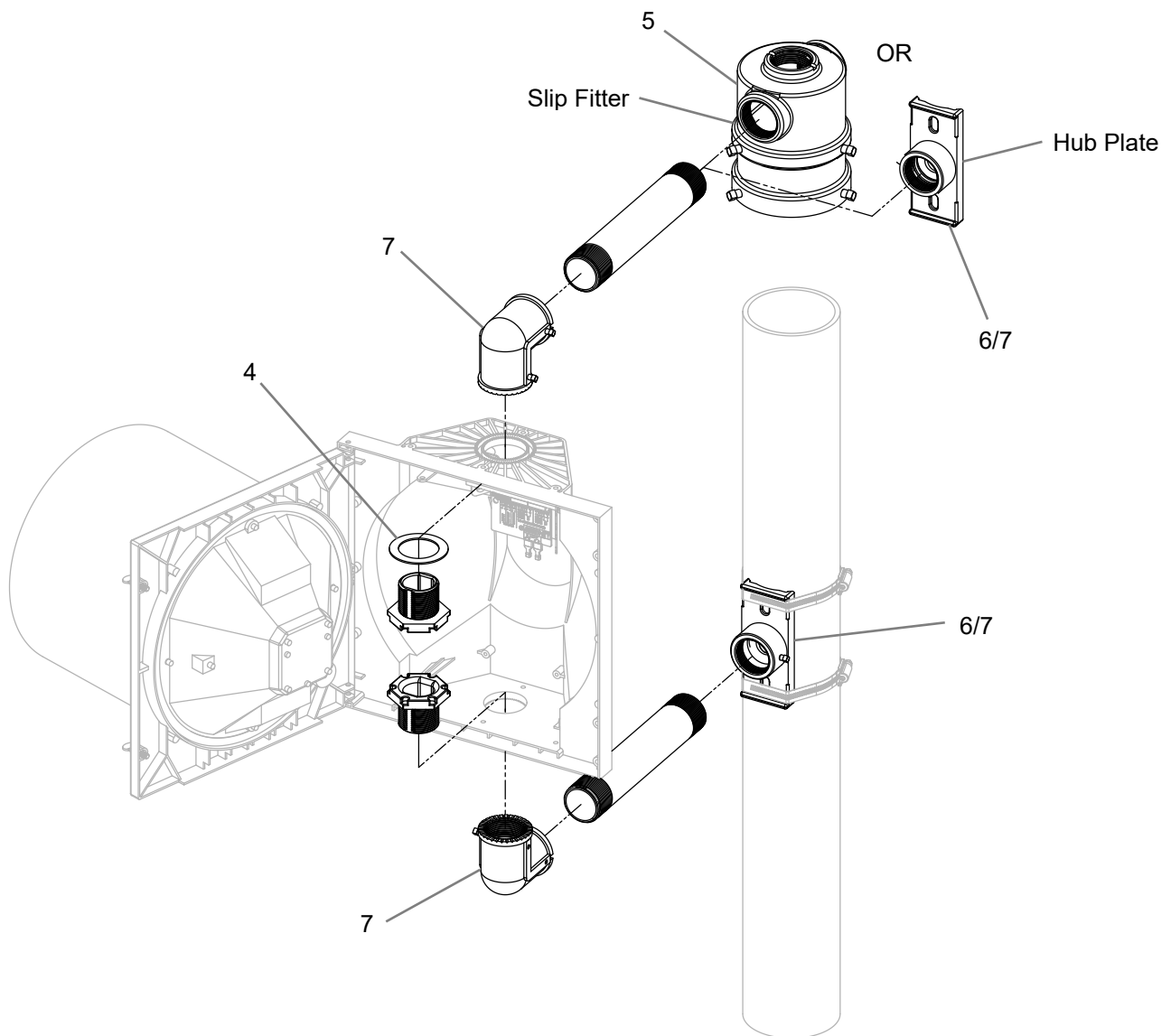
1. Determine installation location and mark pole accordingly.
2. Drill 1" diameter hole(s) in pole for wire entry if required.
3. If drilling holes for through-bolting, drill bolt holes centered on wire entry hole(s). Recommended hole size is 0.438" diameter and 4" vertical spacing.



4. Mount top and bottom arm assemblies to beacon housing using threaded nipples and ensuring top gasket is installed inside beacon housing.
5. If using top of pole slip fitter, thread slip fitter onto top arm and lower onto top of pole. Tighten six set screws on slip fitter.
6. Band or bolt hub plate(s) to pole using suitable hardware (kits available from Carmanah).
7. Tighten all set screws on hub plate(s) and elbows.



Failure to install gasket could result in water entry and product damage.



NOTE: READ ALL INCLUDED INSTALL GUIDES BEFORE SYSTEM INSTALLATION