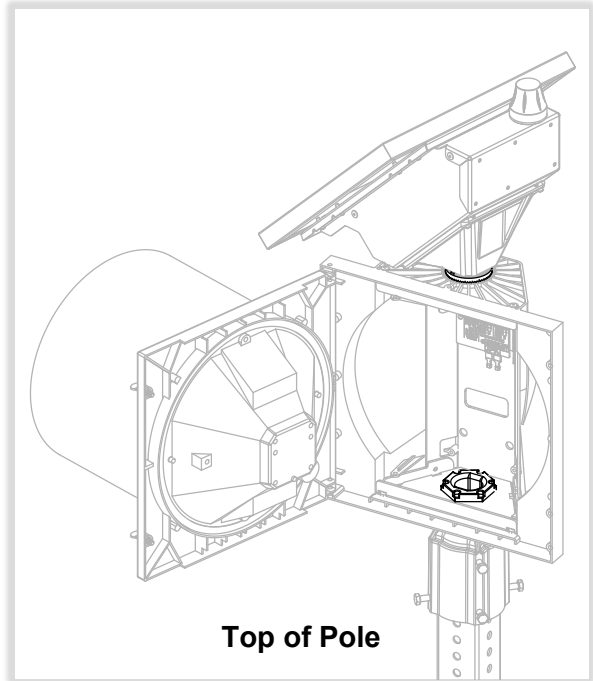


Side of Pole



Top of Pole

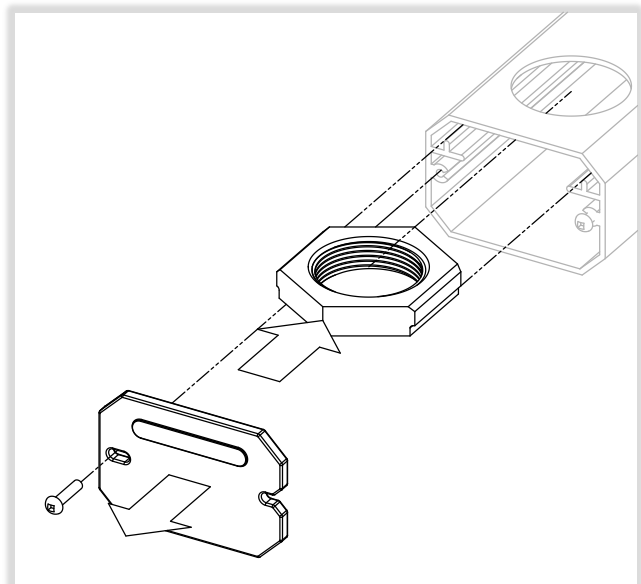
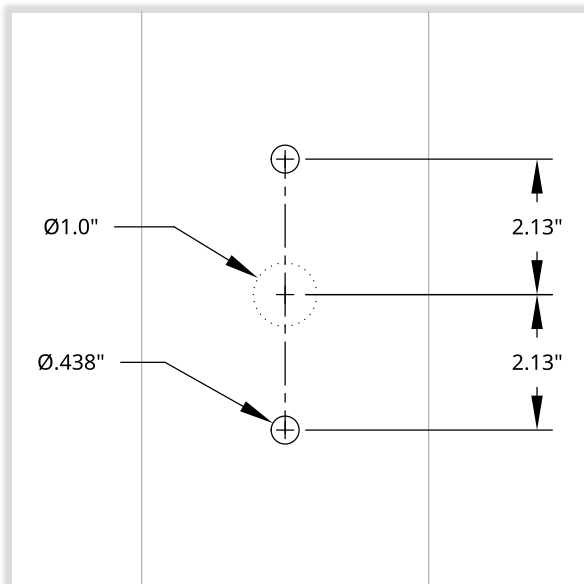
NOTE

Assembly order depicted may be modified to suit preference and does not include cable routing steps.

NOTE

Top of pole mount and beacon may differ from those shown.

1. **Side of pole only:** drill holes if through-bolting and/or cable hole required. Install mount onto pole with suitable fasteners or banding (not included). Remove mount cap and insert nut into channel.

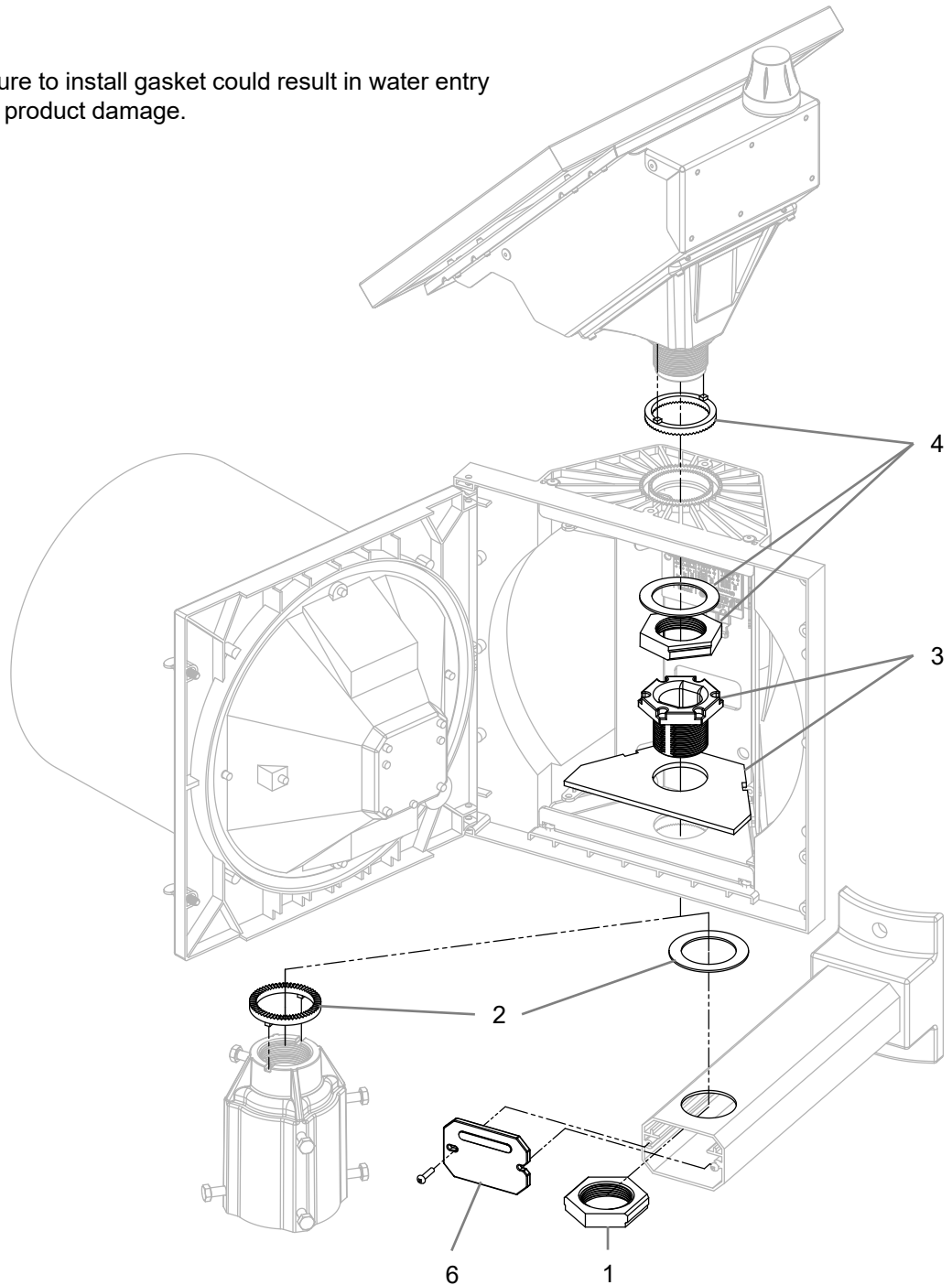




2. Install lock ring (top of pole) or gasket (side of pole) onto mount.
3. Orient and fasten beacon onto mount with nipple and load spreader plate (12" only, comes with beacon).
4. Assemble power module loosely with lock ring, gasket and nut as shown.
5. Orient solar panel to face south (in North America) and tighten nut.
6. **Side of pole only:** replace end cover.



Failure to install gasket could result in water entry and product damage.



NOTE: READ ALL INCLUDED INSTALL GUIDES BEFORE SYSTEM INSTALLATION