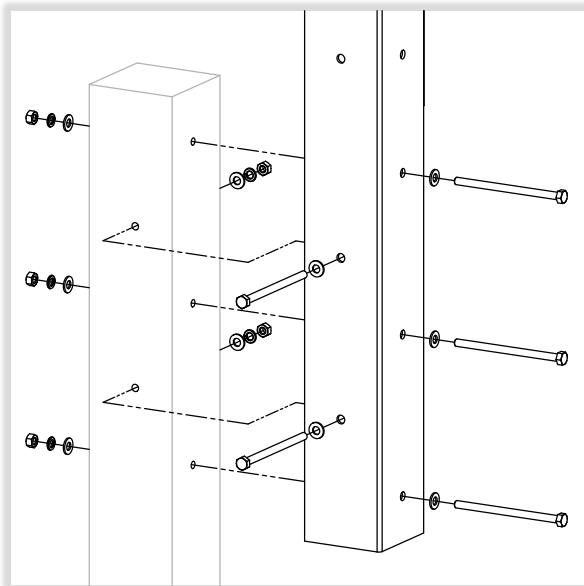
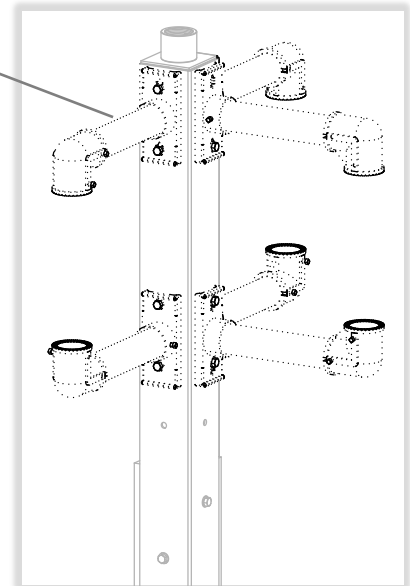


1. Secure wood post mount to corner of wood post with suitable hardware (not included). 5/16" dia. galvanized through-bolts, flat washers, lock washers and nuts are recommended.



Three possible  
arm mounting  
orientations

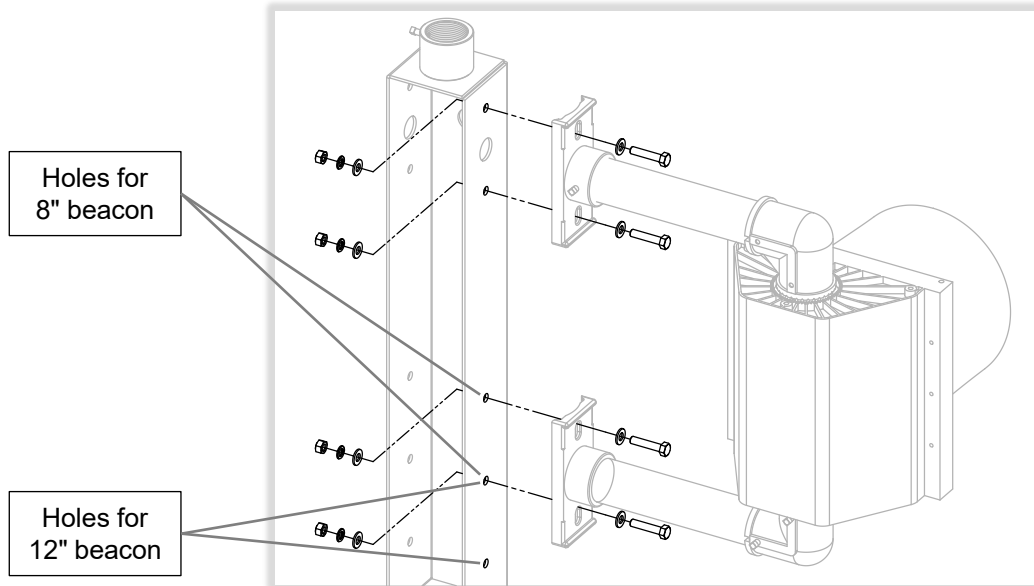


**NOTE**

Ensure mount is installed on wood post so that required beacon arms mounting orientation is one of three available options.

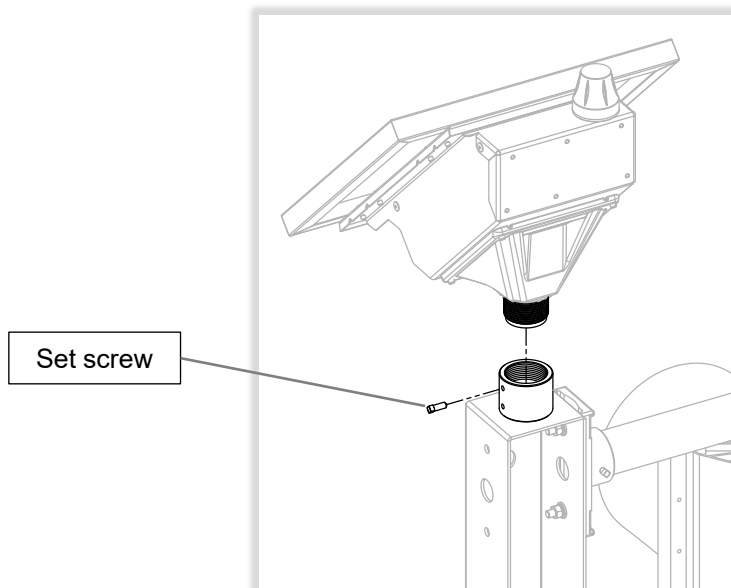


2. Follow **LEVEL 4** Beacon Arms Mount Kit Install Guide to assemble arms to beacon housing.
3. Mount arms to wood post extension using supplied 5/16" bolts, flat washers, lock washers and nuts as shown.



**NOTE** Different holes are used for 8" and 12" beacons. 8" beacon show above.

4. Fully thread power module onto mount and loosen less than one turn until solar panel faces south (in North America).
5. Install and tighten set screw into top hole to lock orientation.



**NOTE** Bottom set screw hole unused.

**NOTE: READ ALL INCLUDED INSTALL GUIDES BEFORE SYSTEM INSTALLATION**