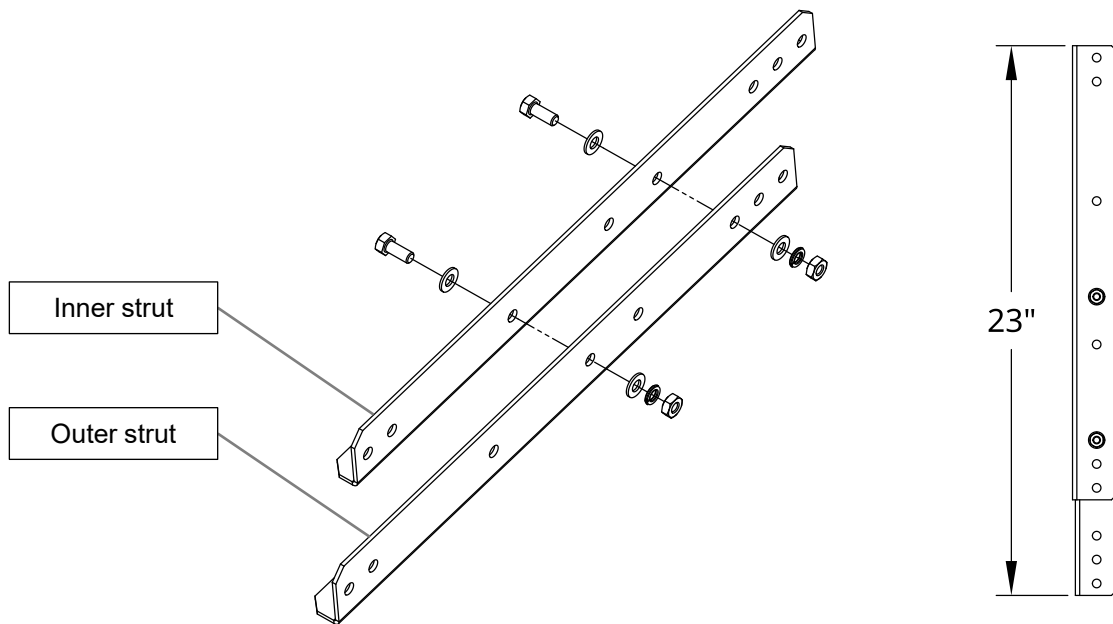
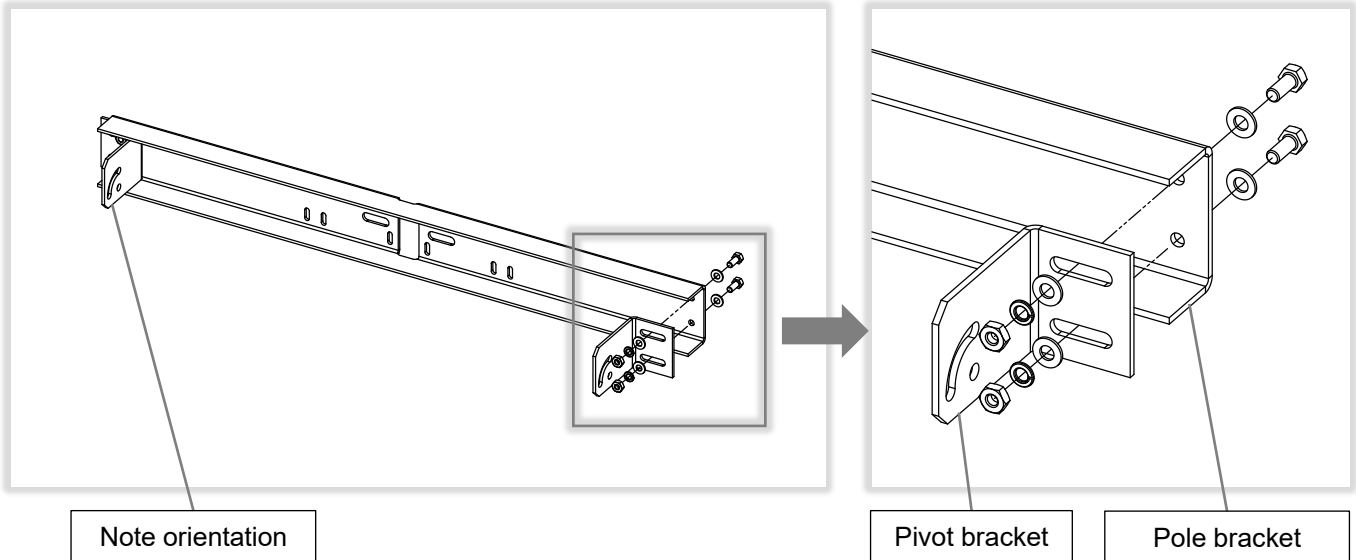


1. Assemble two sets of telescoping lower struts so overall length is 23" using supplied 5/16" bolts, flat washers, lock washers and nuts.

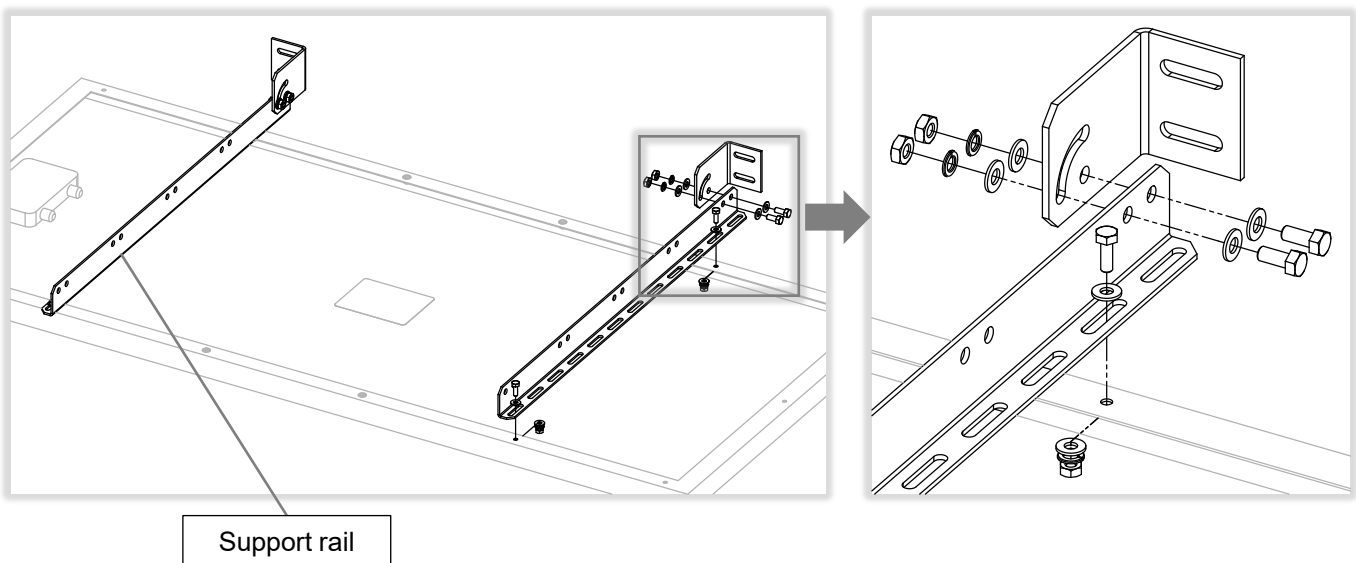




2. Mount one each left and right pivot brackets to lower pole bracket in orientation shown using provided 5/16" hardware. Leave bolts loose.



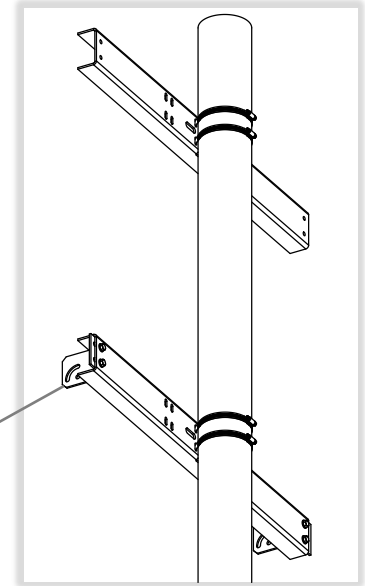
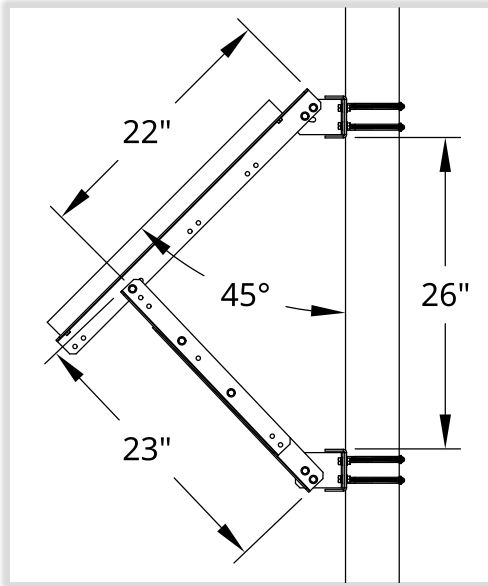
3. Mount support rails to solar panel as shown using provided 1/4" hardware.
4. Mount one each left and right pivot brackets to support rails in orientation shown using provided 5/16" hardware. Leave bolts loose.



When exposed to light, solar panels generate electricity that can produce a shock or burn. To render them safe during installation, fully cover their front surface with an opaque material.



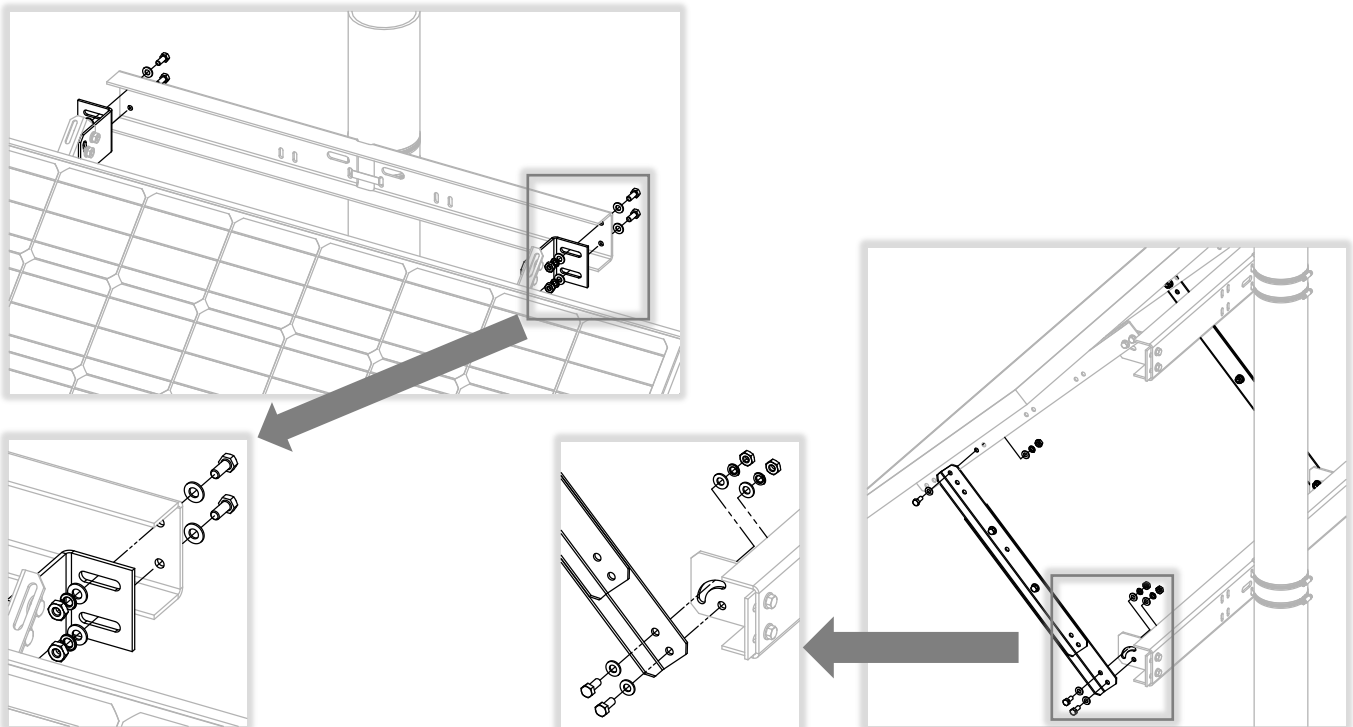
5. Mount upper and lower pole brackets to pole spaced 26" apart. Ensure brackets are parallel and face south (in North America). Note pivot bracket orientation on lower pole bracket.



NOTE

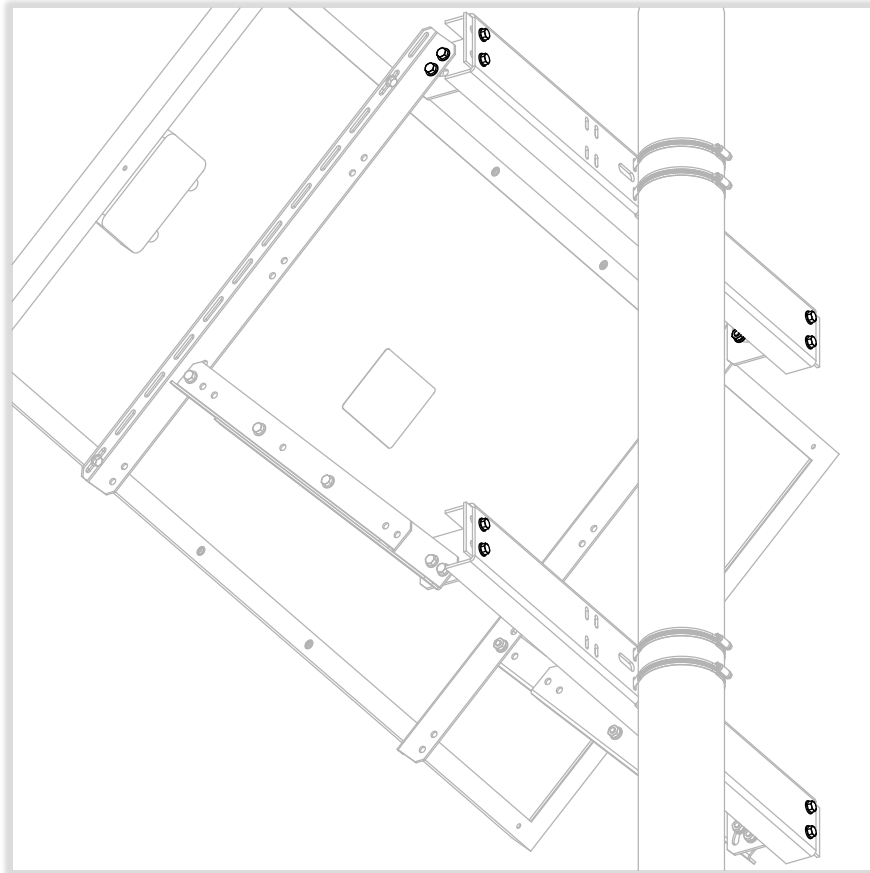
Ensure solid portion of band clamp goes through bracket slots.
1/2" U-bolts or lag bolts may also be used to secure the pole brackets if appropriate. Refer to mount manual for details.

6. Install solar panel by mounting pivot brackets to upper pole bracket as shown.
7. Install both support struts between support rails and lower pivot brackets as shown. Use support rail hole located 22" from top of rail.

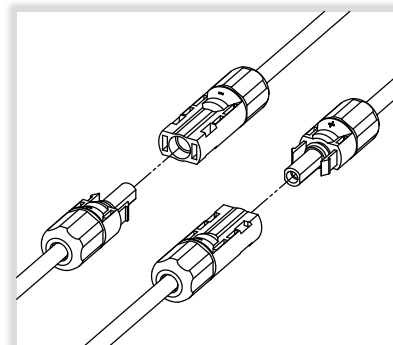
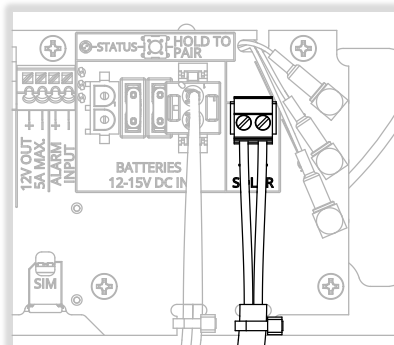




8. Tighten all bolts left loose in earlier steps.



9. Route solar cable provided with cabinet. Make cabinet connections before mating connectors from solar panel. See **LEVEL 2** MX 300/400 Solar Cabinet Module Install Guide for details.



NOTE: READ ALL INCLUDED INSTALL GUIDES BEFORE SYSTEM INSTALLATION