

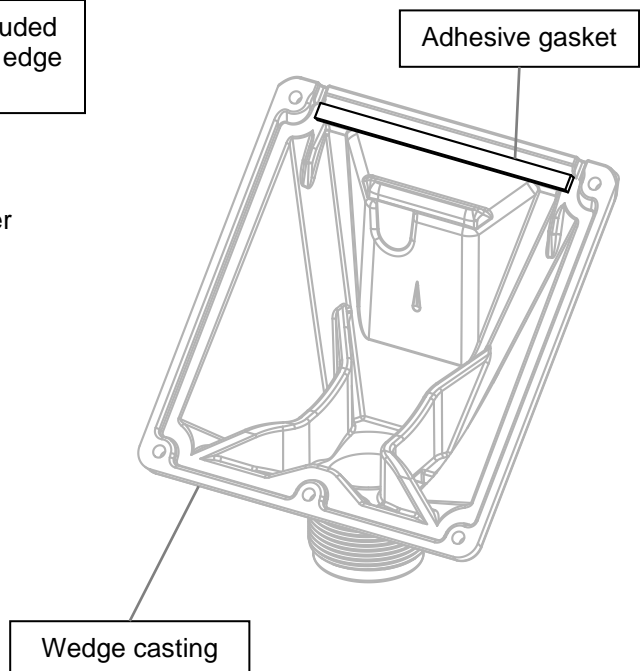
NOTE

Depicted assembly order does not include cable routing steps and be modified to suit preference.

1. Obtain wedge casting and adhesive gasket strip included with power module and install gasket strip along top edge as shown.

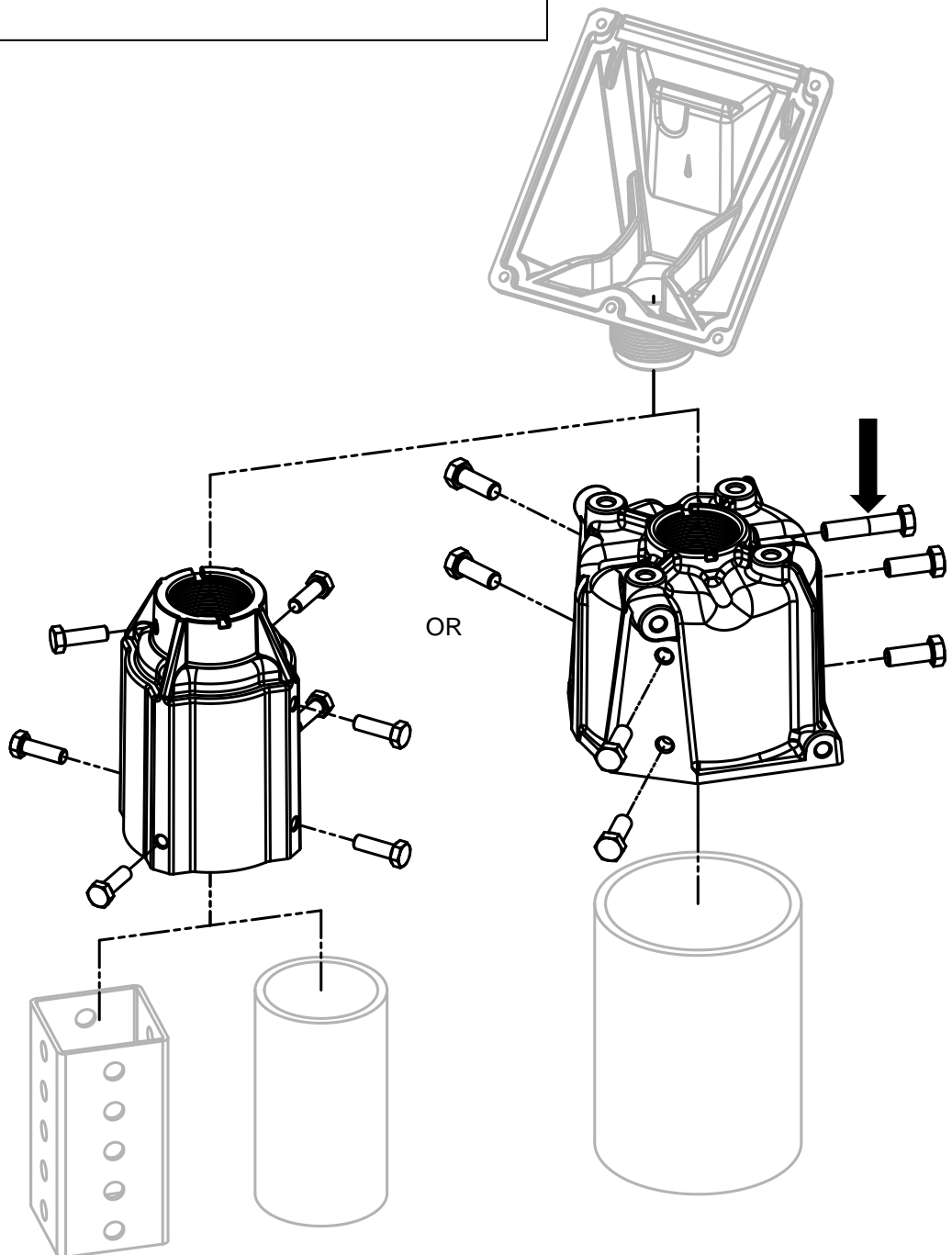


Failure to apply gasket could result in water entry and product damage.





2. Thread supplied bolts partially into top of pole casting. Note location of longer bolt on large casting.
3. Fully thread wedge casting into top of pole casting.
4. Install on pole and orient power module per **LEVEL 2** instructions. On square posts, this requires partially unthreading wedge casting.
5. Tighten all seven casting bolts.
6. Fasten solar power module (not shown) to wedge casting per **LEVEL 2** guide.



NOTE: READ ALL INCLUDED INSTALL GUIDES BEFORE SYSTEM INSTALLATION