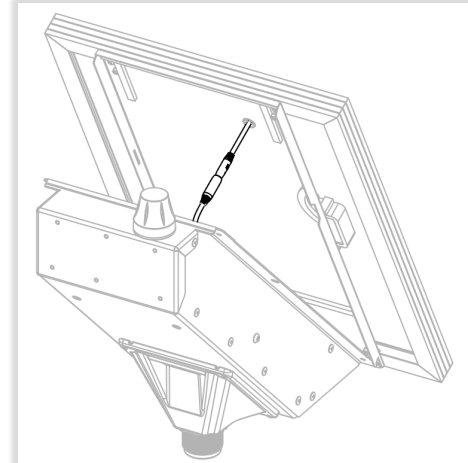
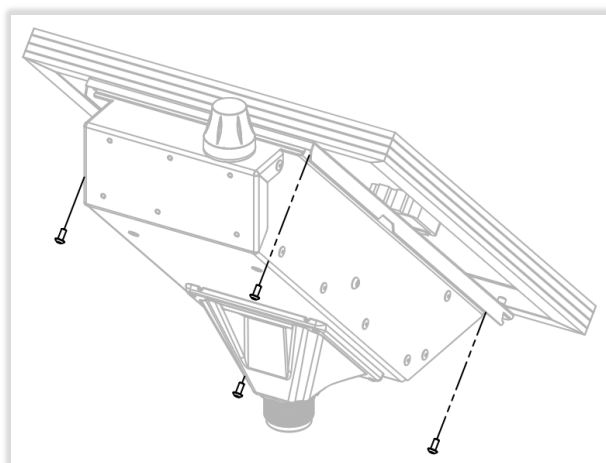
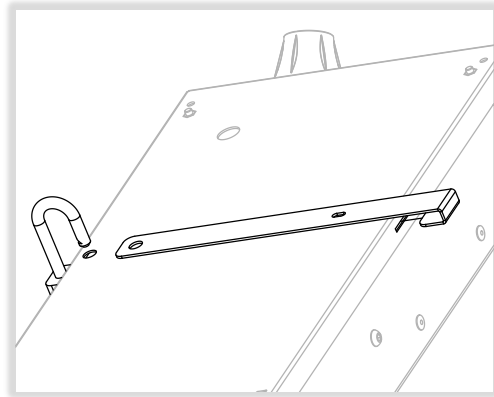
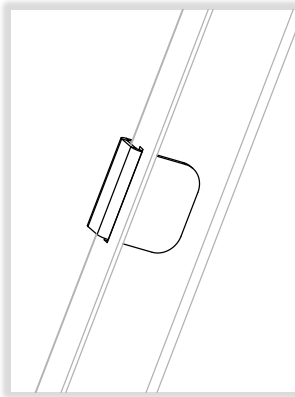
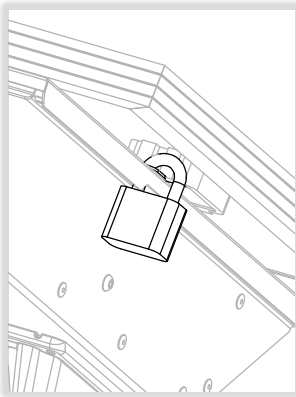
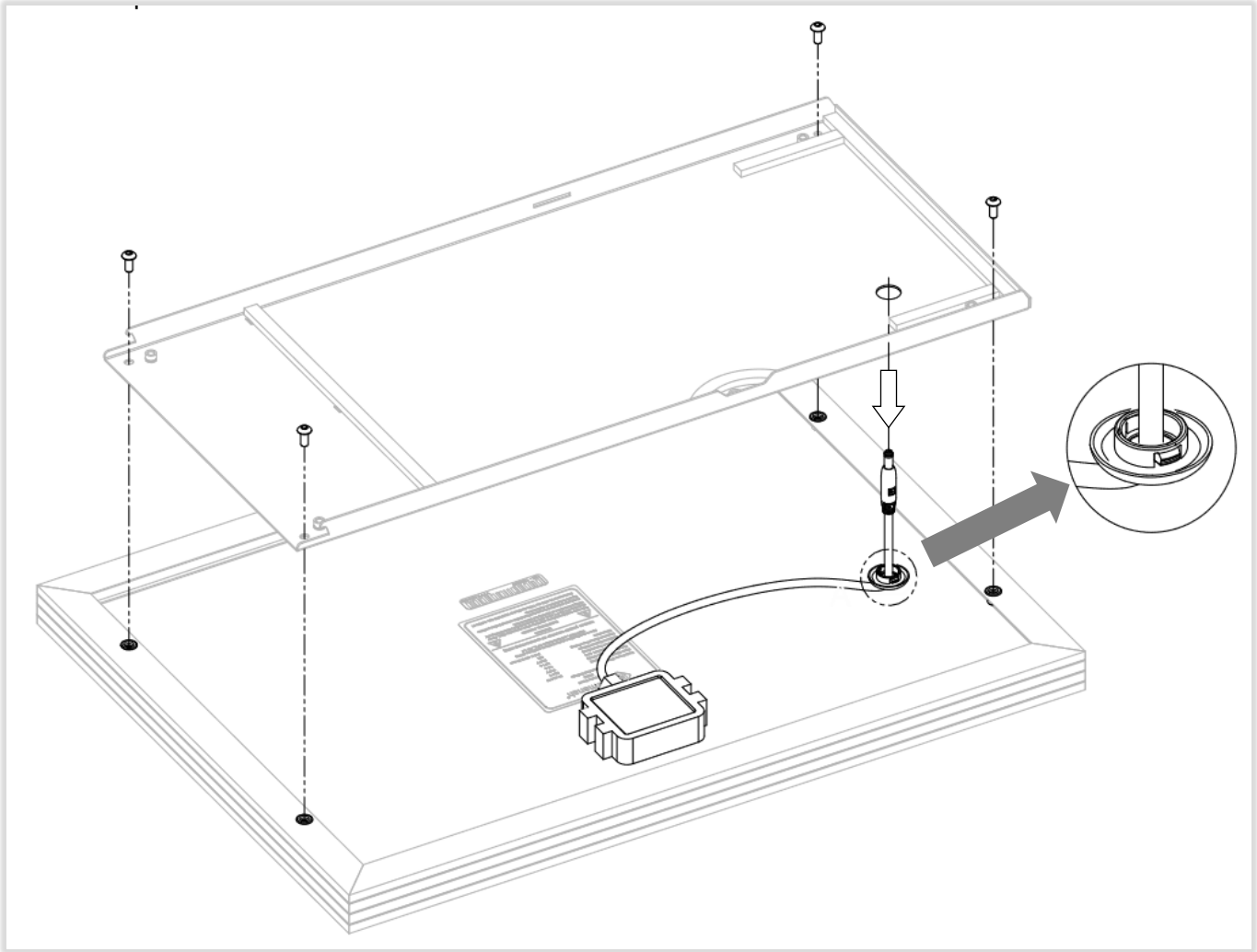


1. Unlock MX 200 and slide off lock bar.
2. Remove four screws securing solar panel to MX 200 chassis.
3. Disconnect solar panel connector and remove solar panel assembly.

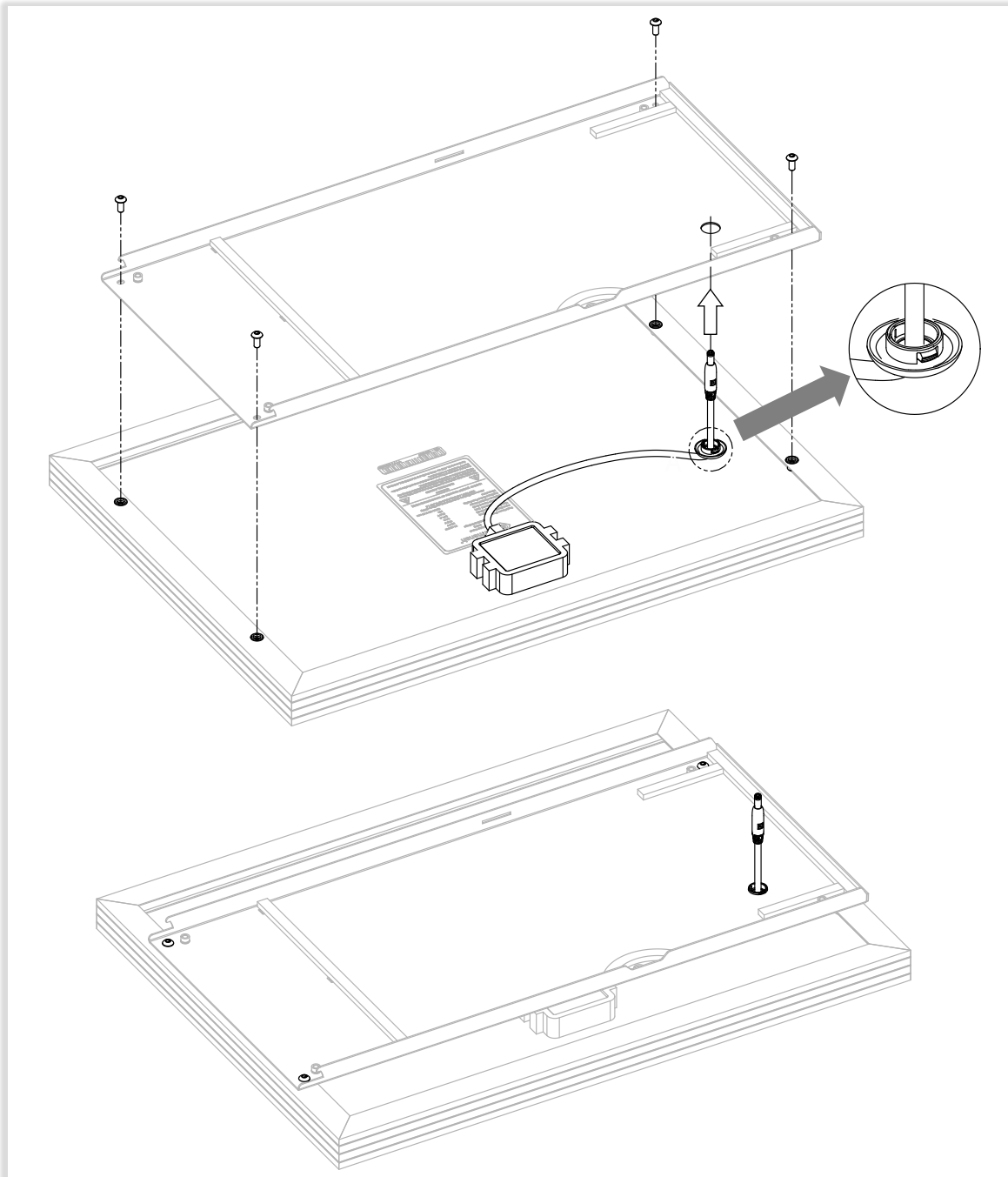


4. Remove four solar panel lid screws.
5. Squeeze grommet snap features and push grommet and cable end through hole.





6. Place lid onto replacement solar panel in orientation shown and insert solar harness barrel connector through hole in lid.
7. Push grommet into lid hole ensuring it is fully snapped in place.
8. Fasten lid to solar panel with four screws.



**NOTE**

Check MX Field App to ensure solar panel is producing suitable voltage.



9. Align hook features on lid with tabs on chassis. Mate solar harness connectors.
- Lower solar panel assembly onto chassis and fasten with four screws.
10. Slide tab of lock bar into slot in lid.
11. Align shackle holes and lock MX 200.

