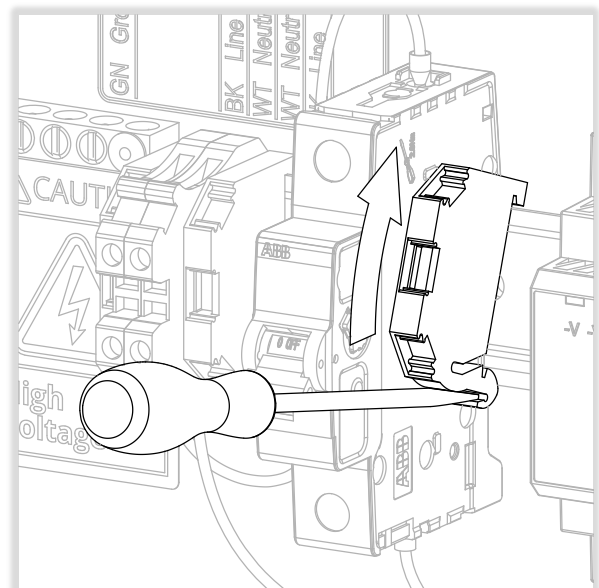
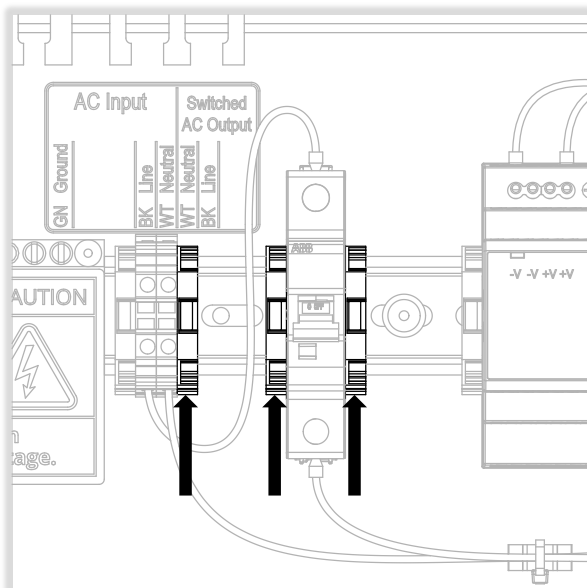


ELECTRICAL SHOCK HAZARD. DO NOT ENERGIZE AC SUPPLY OR TURN CABINET BREAKER(S) ON UNTIL ALL SYSTEM WIRING IS COMPLETED.



For clarity, MX 400 cabinet not shown in some images; relay kit can be installed without removing AC power subassembly from MX 400 cabinet.

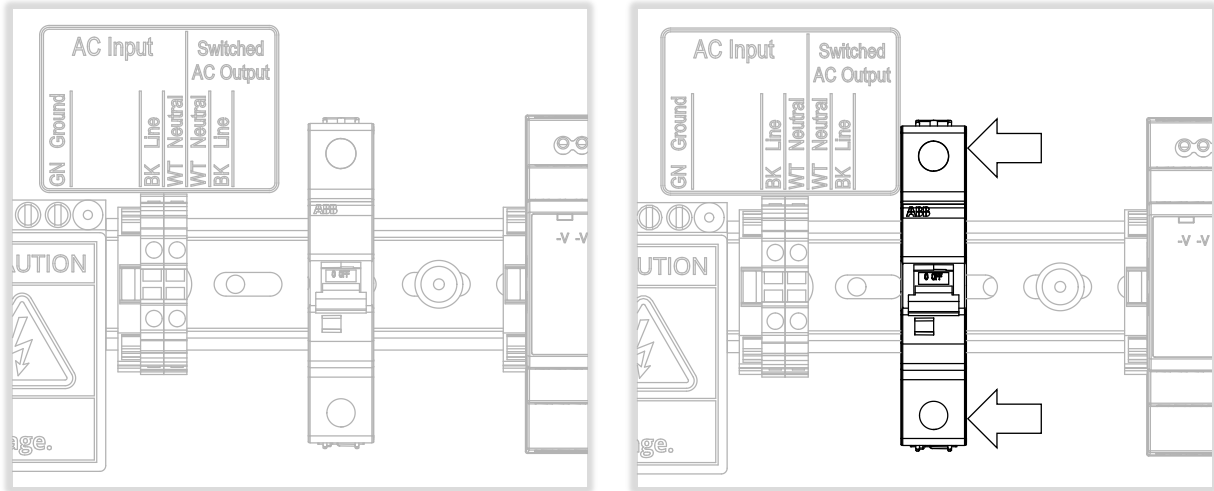
1. Remove and set aside three DIN rail end stops shown using a small flat screwdriver to pry upwards.



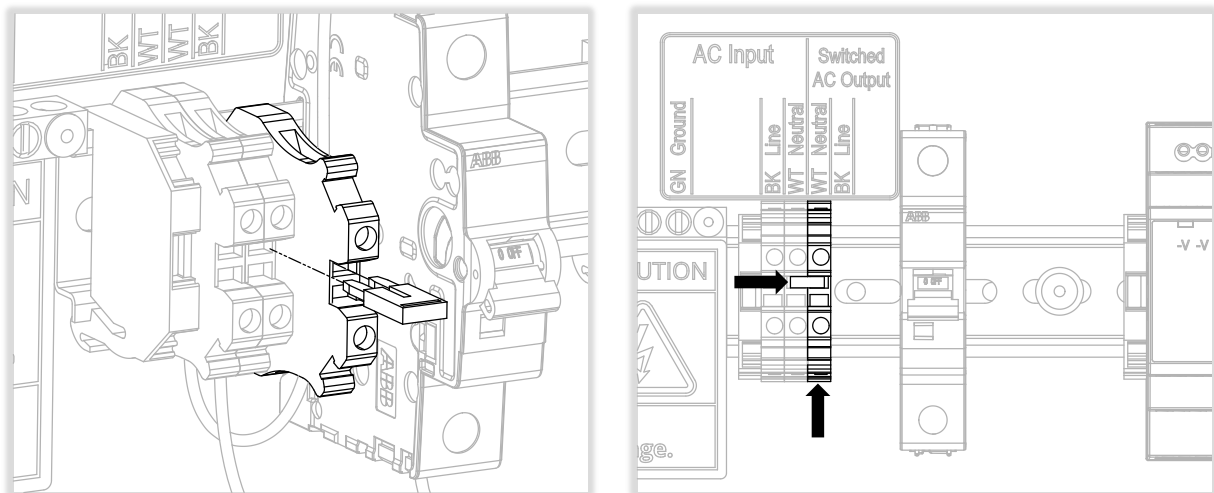
NOTE

For clarity, wires are hidden in some of the following illustrations.

2. Confirm assembly is as shown after removal of three end stops. Slide breaker over slightly to make room for components in later steps.

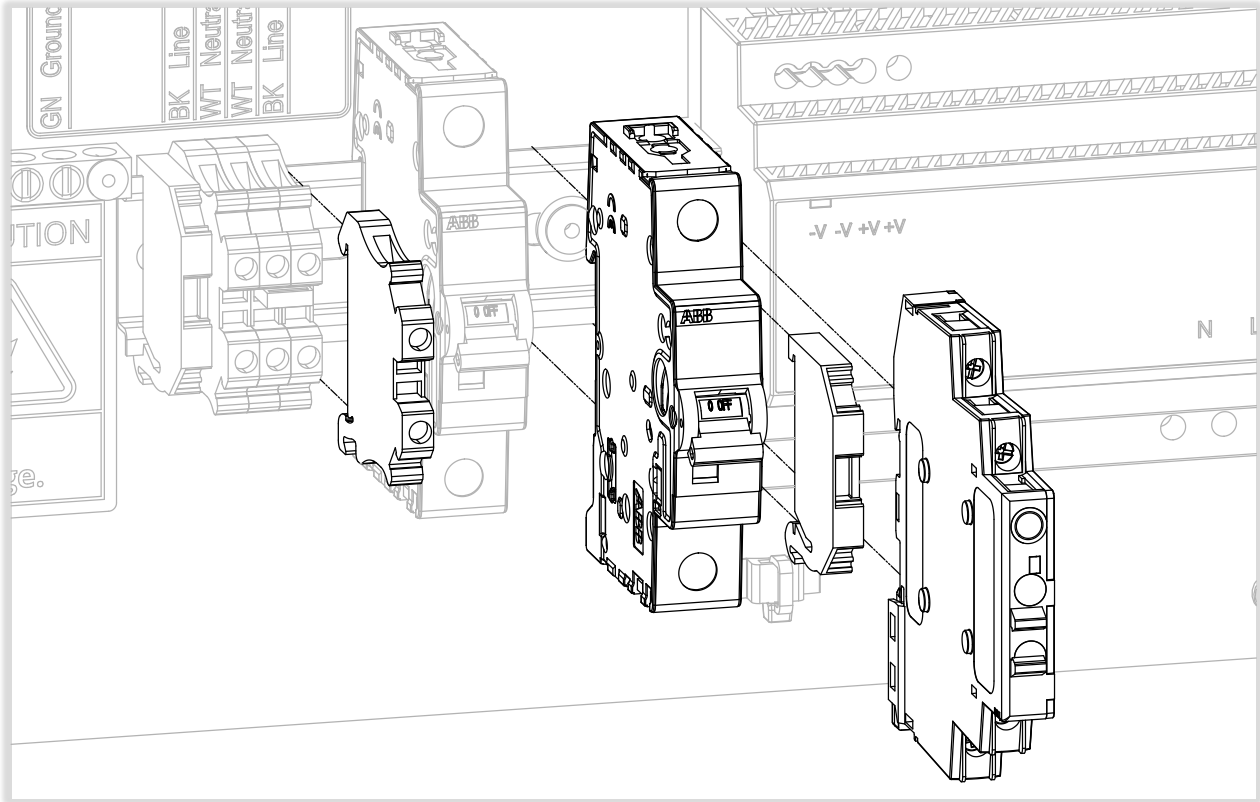


3. Obtain loose gray terminal block and red jumper from kit. Assemble terminal block into Switched AC Output Neutral position to right of terminal blocks already on DIN rail. Install jumper as shown to connect Neutral terminal blocks.

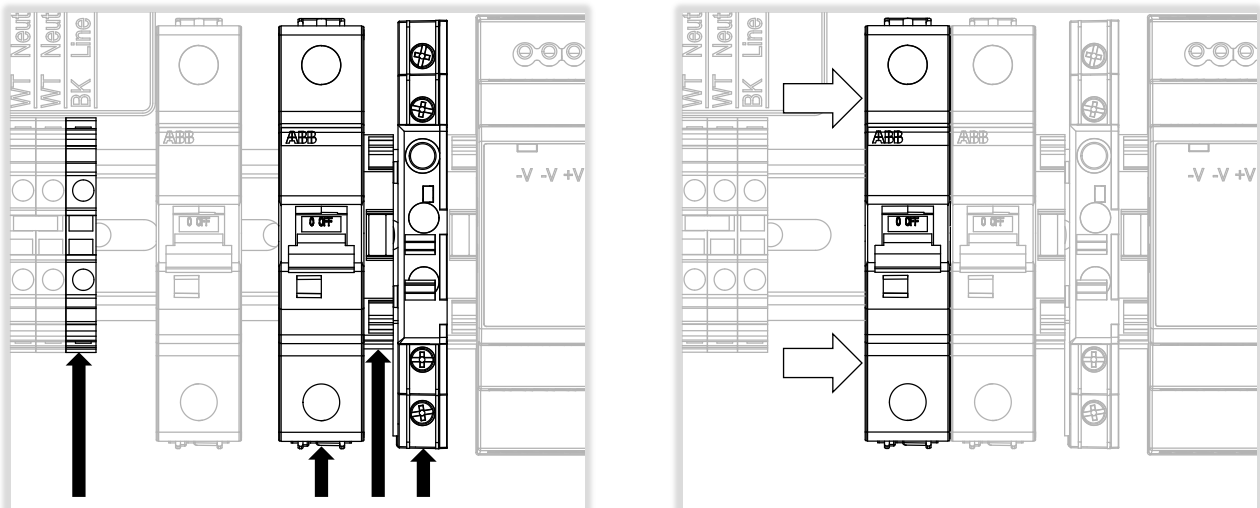




4. Obtain pre-wired Line terminal block, breaker and relay from kit. From right to left, assemble:
 - a. Relay (install beside power supply end stop)
 - b. End stop (one of those set aside earlier, install to the left of relay)
 - c. Breaker (install to the left of end stop, and to the right of existing breaker)
 - d. Terminal block (install into Switched AC Output Line position)

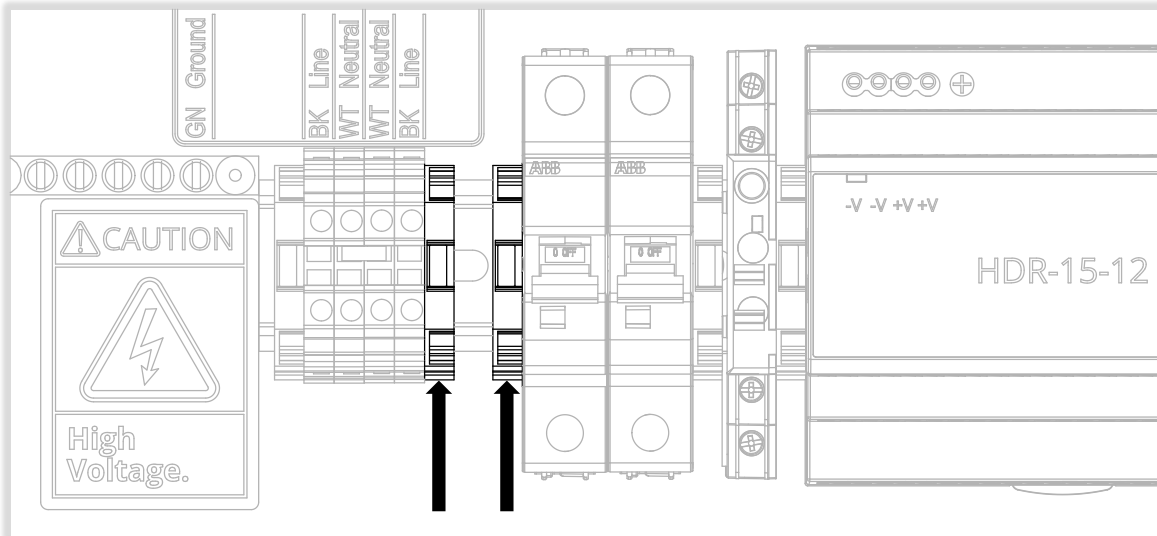


5. Four added components shown in left image below. Slide breaker over against second breaker.

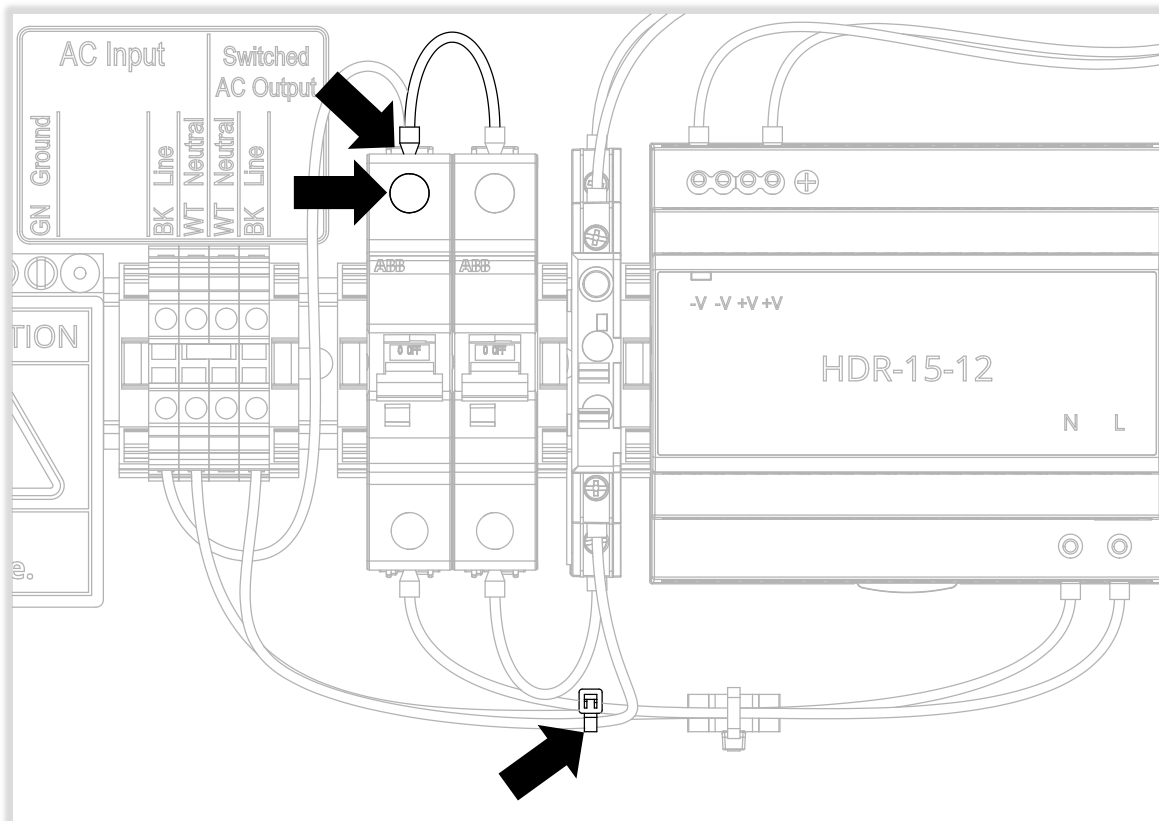




6. Reinstall remaining two end stops next to Line terminal block and breaker as shown.

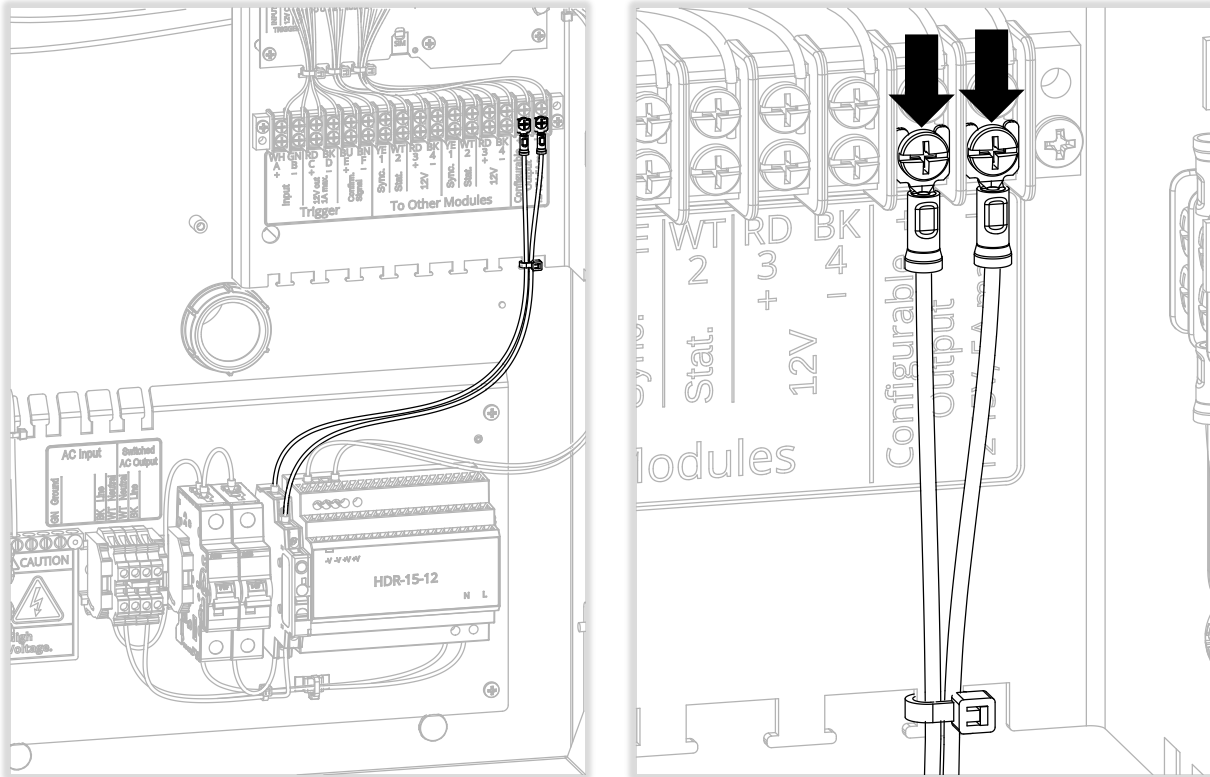


7. Loosen top terminal screw on left breaker. Insert jumper wire from right breaker into left breaker terminal as shown. Tighten terminal screw ensuring both wires are secure. Install provided cable tie as shown around relay and power supply wires.

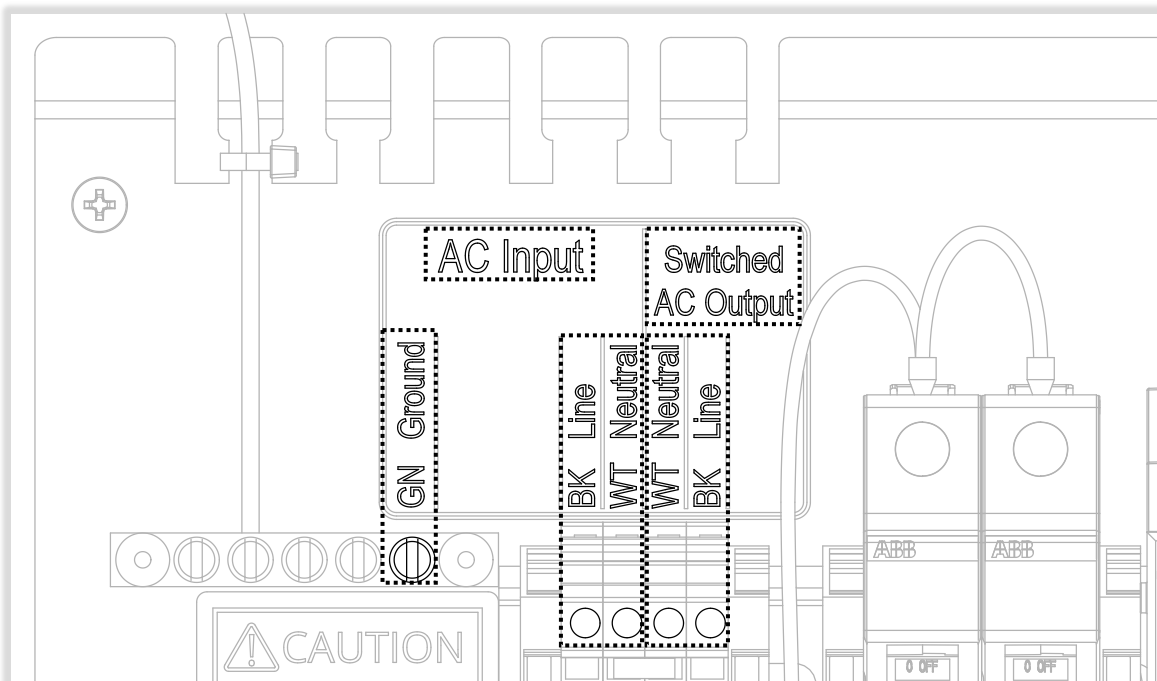




- Connect red wire from relay to Configurable Output + terminal. Connect black wire from relay to Configurable Output – terminal. Secure with provided cable tie.



- Complete relay kit wiring by installing AC input and switched AC output wires.



NOTE: READ ALL INCLUDED INSTALL GUIDES BEFORE SYSTEM INSTALLATION