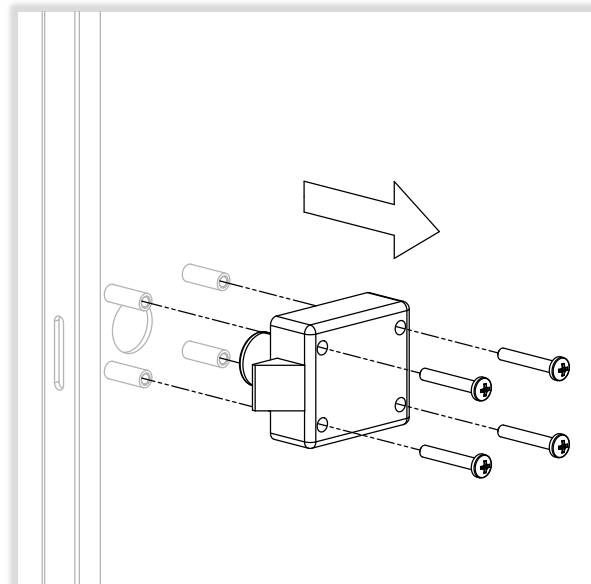
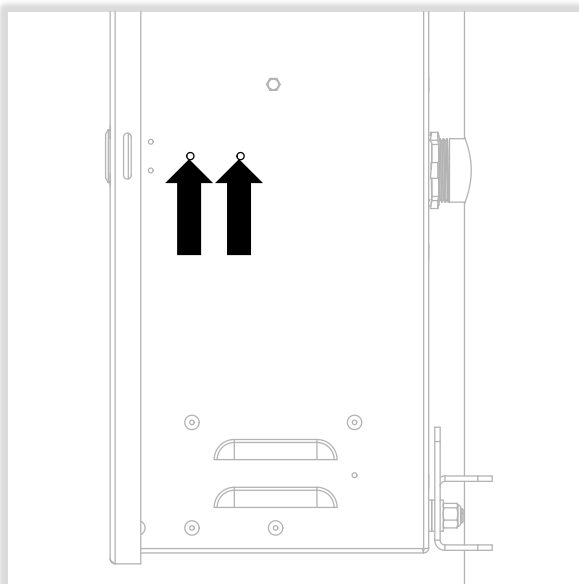
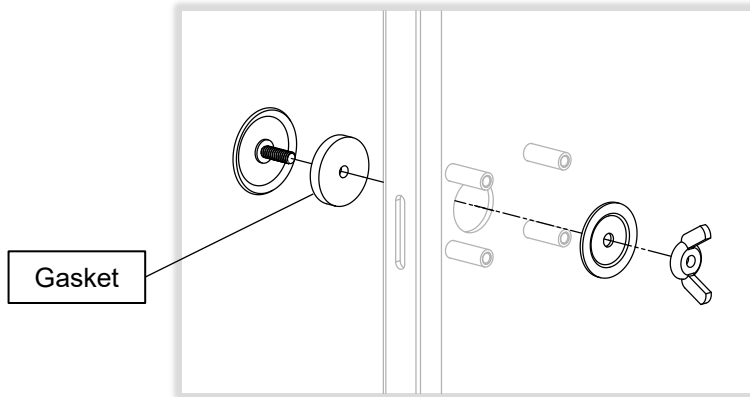


1. Locate two indentations on right side of cabinet shown. Open cabinet, move cables aside and drill two 0.188" dia. holes through cabinet wall using indentations to locate drill bit. Remove metal shavings.
2. Remove and dispose of four screws and existing latch from door standoffs on inside of door.

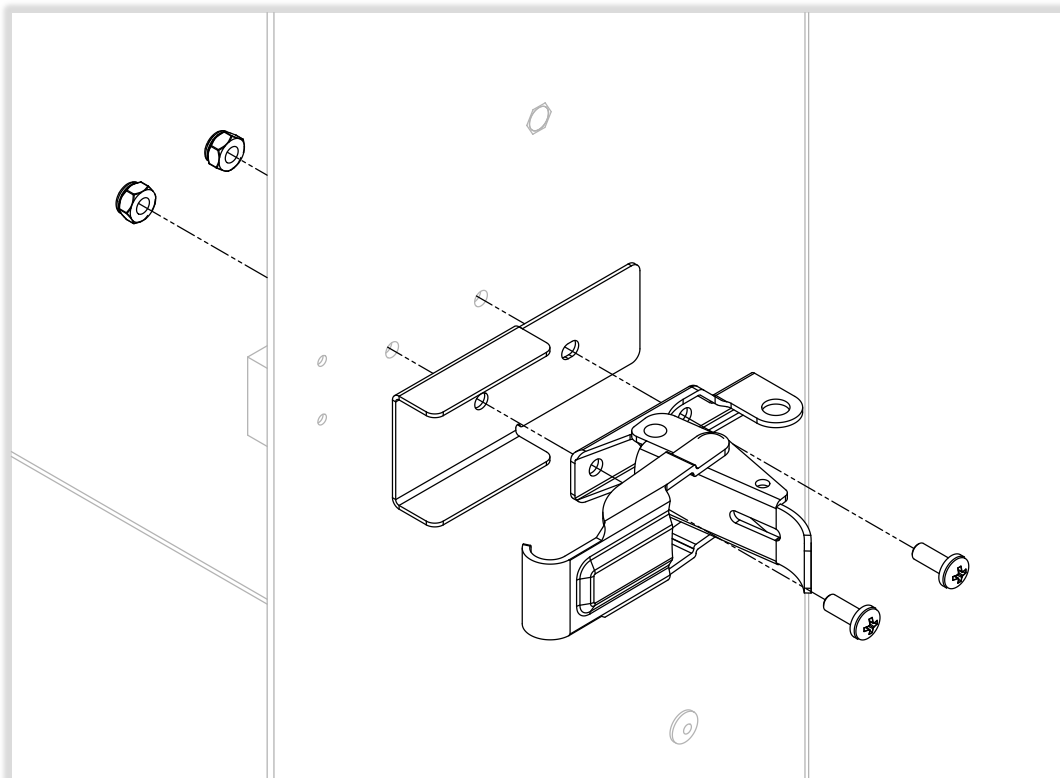




3. Install hole plug into door hole as shown.



4. Use provided screws and nuts to fasten door stop bracket and latch to cabinet as shown into holes drilled in Step 1.



NOTE

A padlock with shackle diameter up to 1/4" can be used to secure the cabinet.

NOTE: READ ALL INCLUDED INSTALL GUIDES BEFORE SYSTEM INSTALLATION