

ELECTRICAL SHOCK HAZARD. DO NOT ENERGIZE AC SUPPLY OR TURN CABINET BREAKER(S) ON UNTIL ALL SYSTEM WIRING IS COMPLETED.

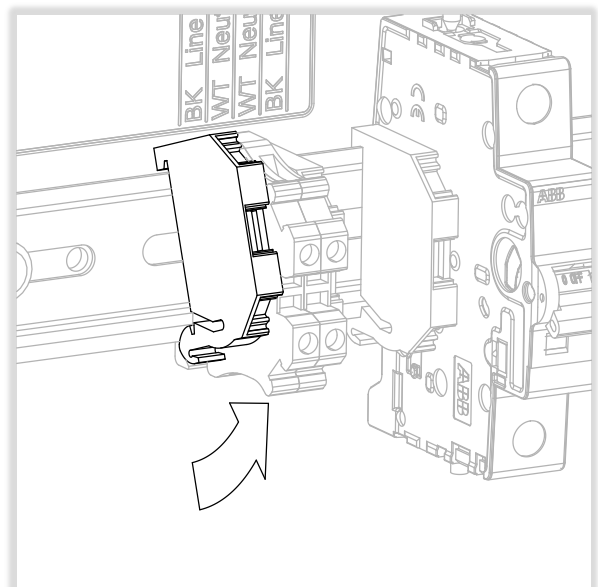
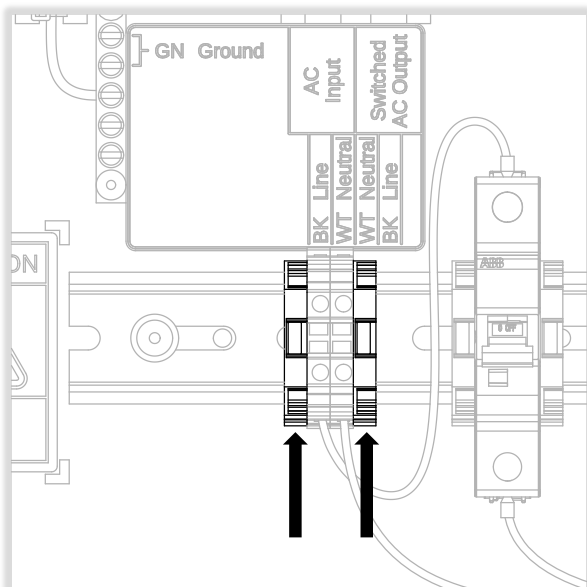
**NOTE**

For clarity, MX 400 cabinet not shown in some images; surge protection kit can be installed without removing AC power subassembly from MX 400 cabinet.

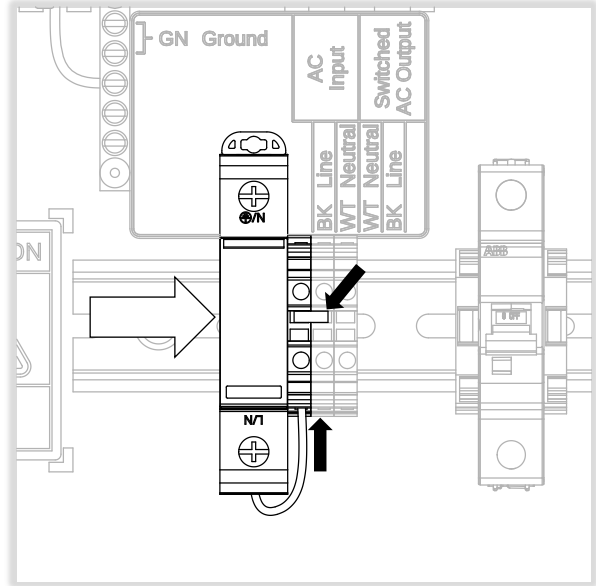
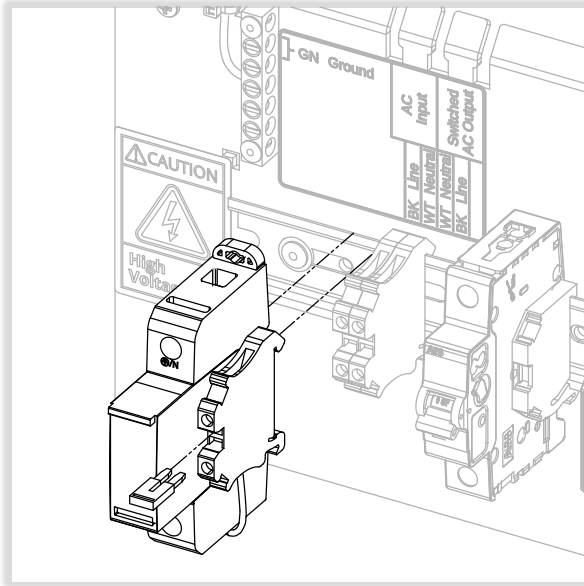
**NOTE**

For clarity, wires are hidden in some of the following illustrations.

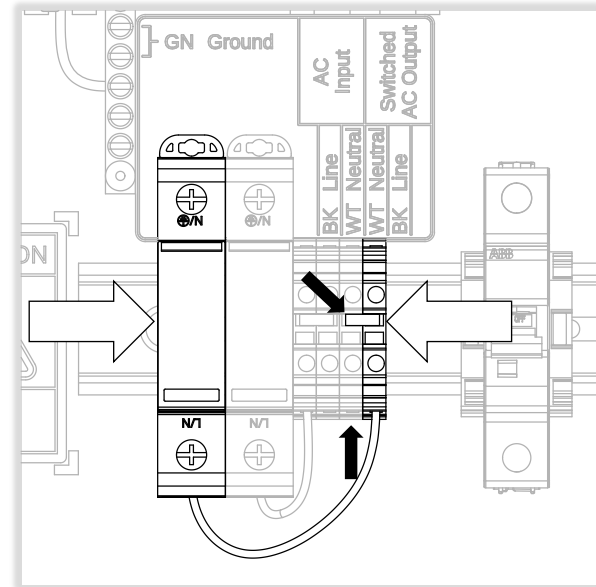
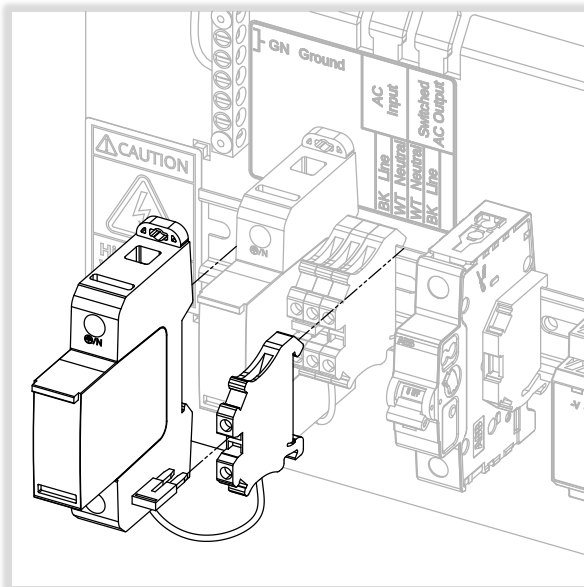
1. Remove and set aside two DIN rail end stops shown using a small flat screwdriver to pry upwards.



2. Install Surge Protection Device (SPD) with short black wire and terminal block next to AC input Line terminal block and push snugly against it. Ensure red jumper is installed between two terminal blocks.



3. Install SPD with longer white wire next to first SPD. Install terminal block next to existing Neutral terminal block. Push both SPD and terminal block snugly against other components. Ensure red jumper is installed between two terminal blocks.

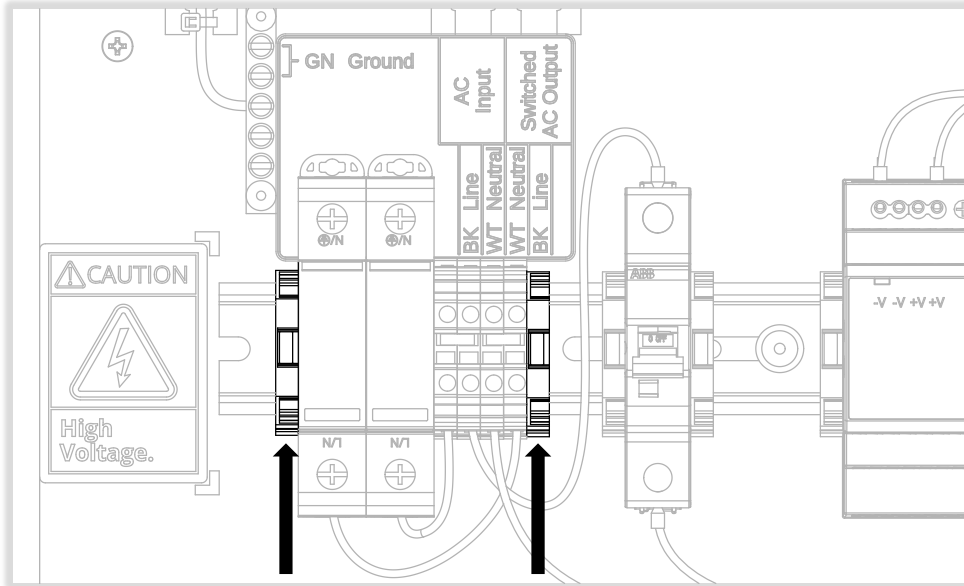


**NOTE**

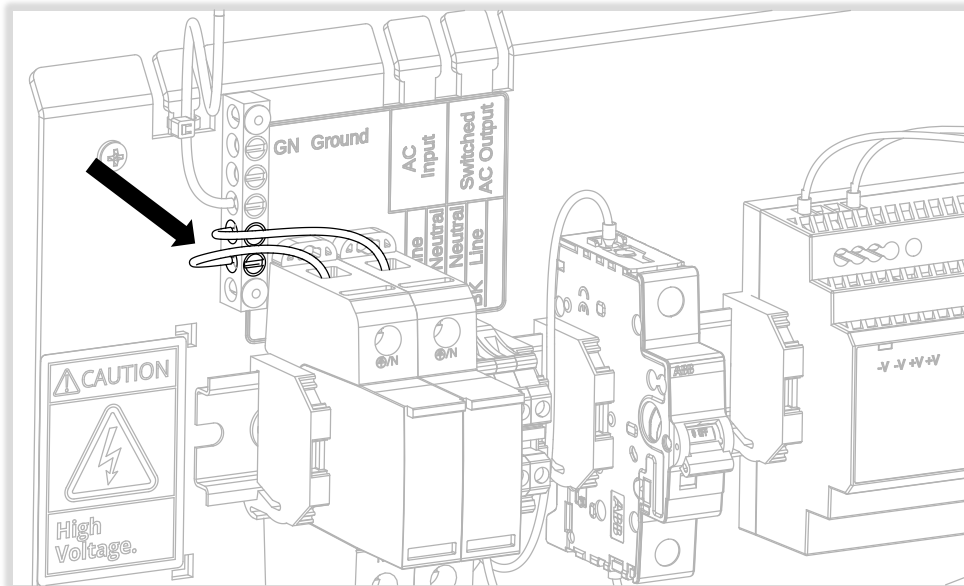
For AC relay kit equipped systems, remove and discard terminal block from white wire and connect to already installed second neutral terminal instead. Tighten to 6 in-lb.



4. Reinstall two end stops next to SPD and Neutral terminal block as shown.



5. Connect ground wires from top of SPDs to neutral bar as shown, tighten terminal screw and pull test wires to ensure they are secure.



**NOTE: READ ALL INCLUDED INSTALL GUIDES BEFORE SYSTEM INSTALLATION**