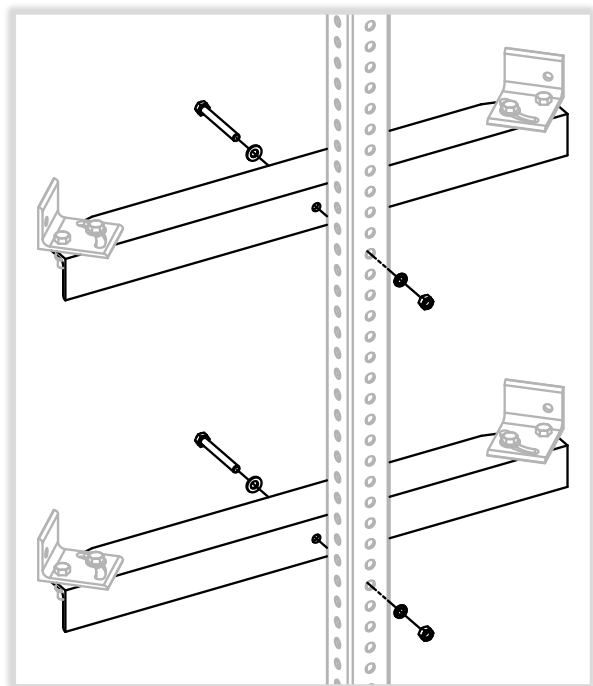
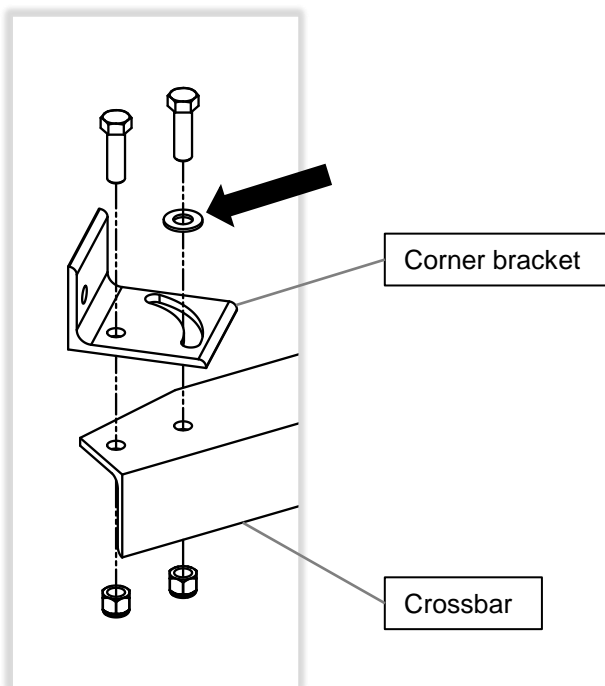
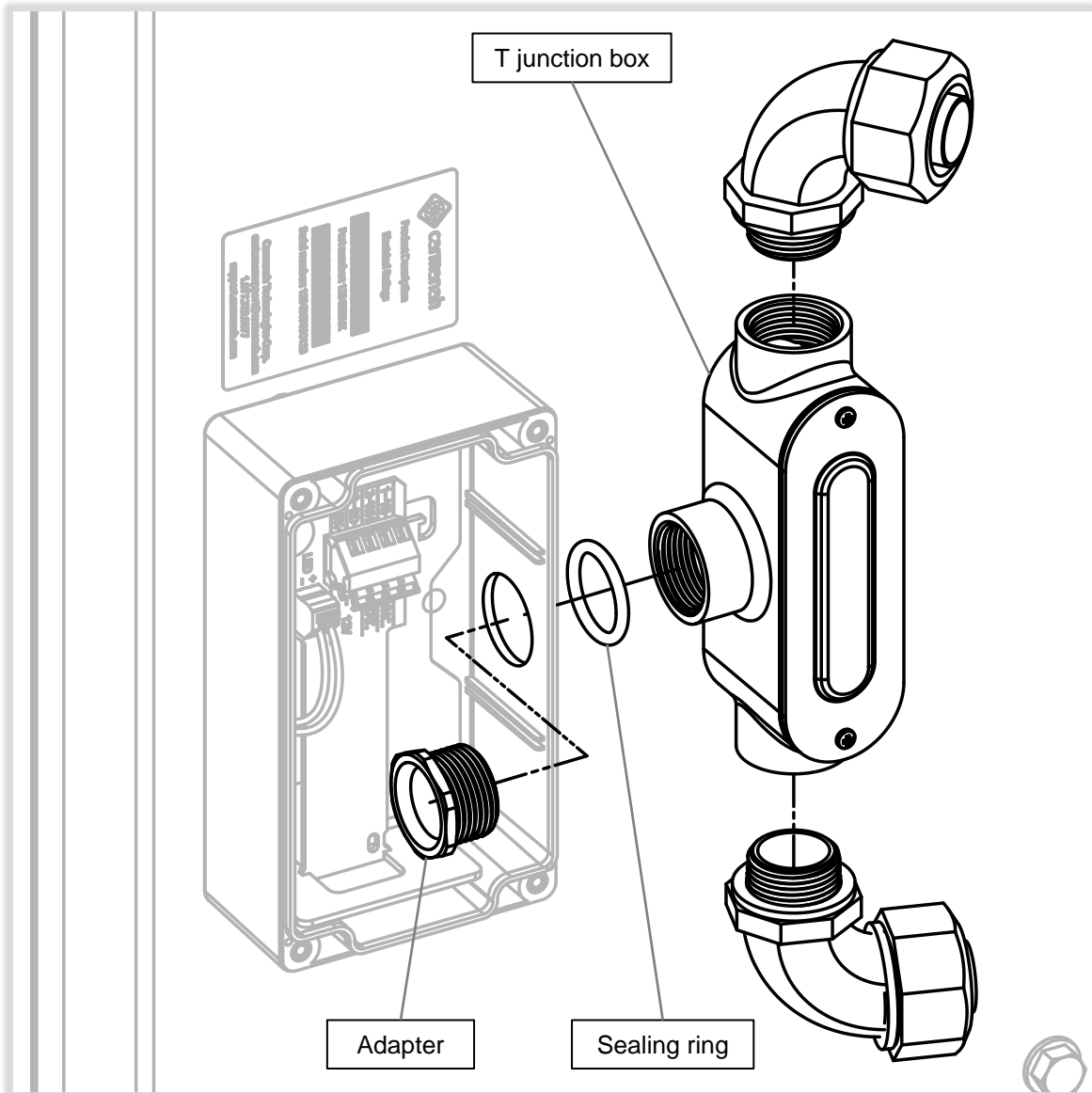


Sign brackets and crossbars may have very sharp edges, wear suitable gloves when handling.

1. Mount four corner brackets loosely to crossbars using supplied hardware installing washer over slot.
2. Mount crossbars to post using suitable 5/16" hardware (not supplied). Ensure post bolt spacing matches sign mounting hole spacing: 16" for 18"x24" sign or 19" for 24"x30" sign.



3. Discard included nuts from elbow fittings supplied with sign. Thread fittings into T junction box as shown.
4. Install T junction box to one of the signs using supplied adapter and sealing ring.

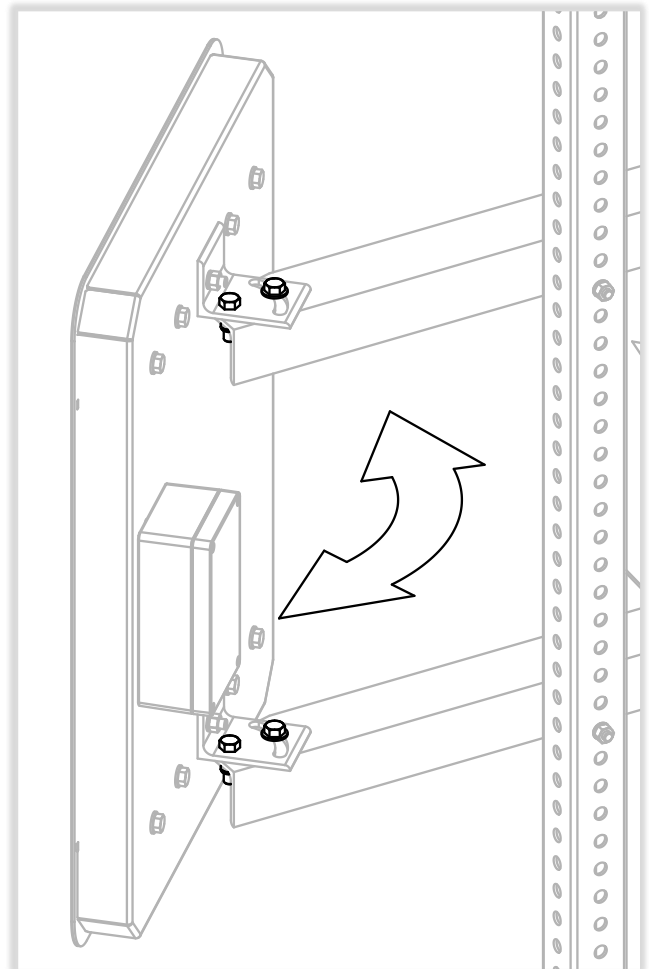
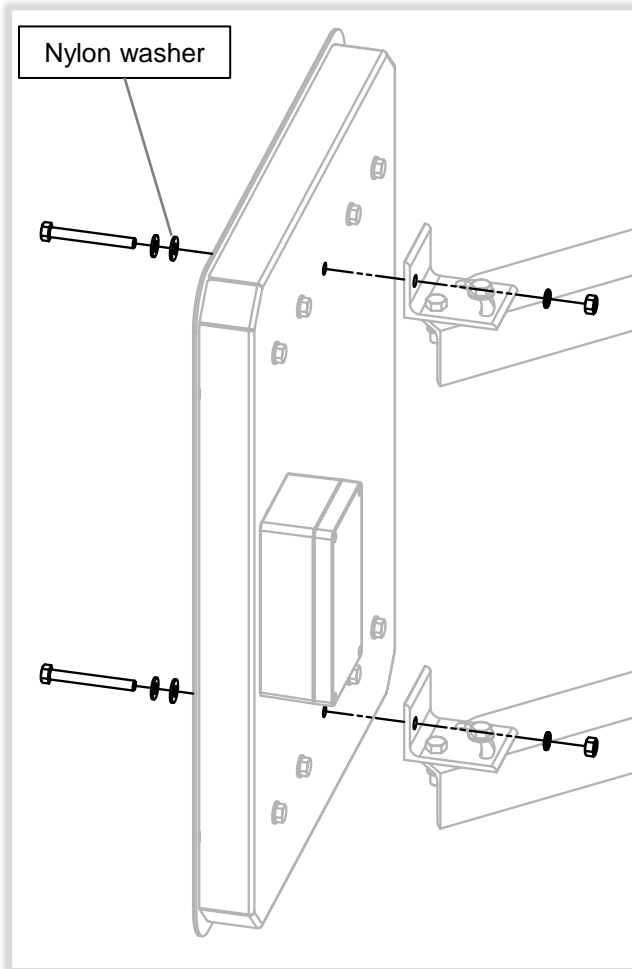


**NOTE**

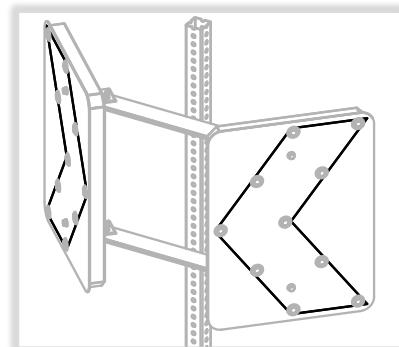
A parallel electrical connection can be performed within the junction box instead of routing both sign cables back to the power module.



5. Install sign onto brackets using supplied bolts, flat washers, nylon washers, lock washers and nuts. Ensure nylon washers are against sign sheeting.
6. Adjust sign orientation and tighten corner bracket bolts to lock in place.



**NOTE** Ensure arrows on signs point in correct direction.



**NOTE: READ ALL INCLUDED INSTALL GUIDES BEFORE SYSTEM INSTALLATION**