

**NOTE**

Supplied bracket and cable accommodates mast arm diameters between 4.5" and 10.5".

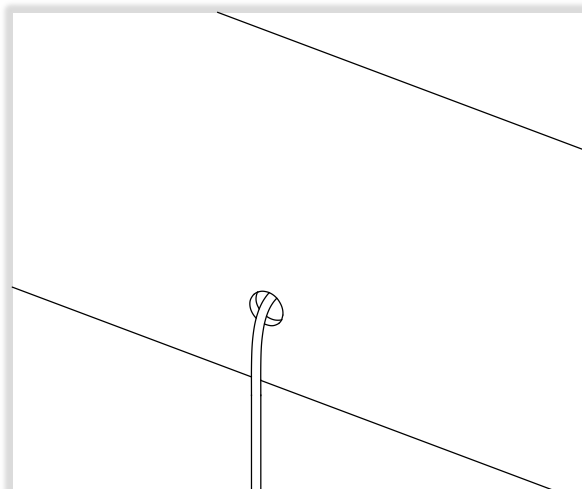
**NOTE**

Supplied perforated steel tube accommodates signs up to 36" and may be cut shorter for smaller signs.

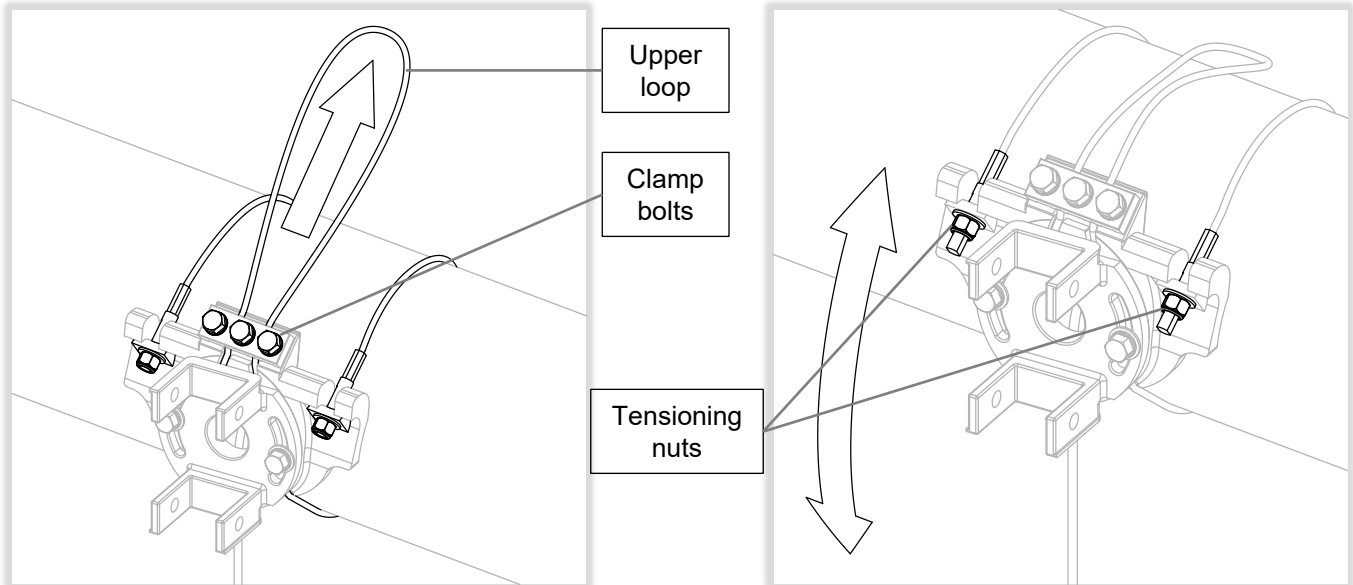


Anti-seize lubricant should be applied to large diameter stainless steel bolts to prevent seizing during installation.

1. Drill 1" hole for cable at desired location along mast arm. Deburr hole or used suitable grommet (not supplied) to protect cable.
2. Fish enough cable through hole to reach RRFB connectors.



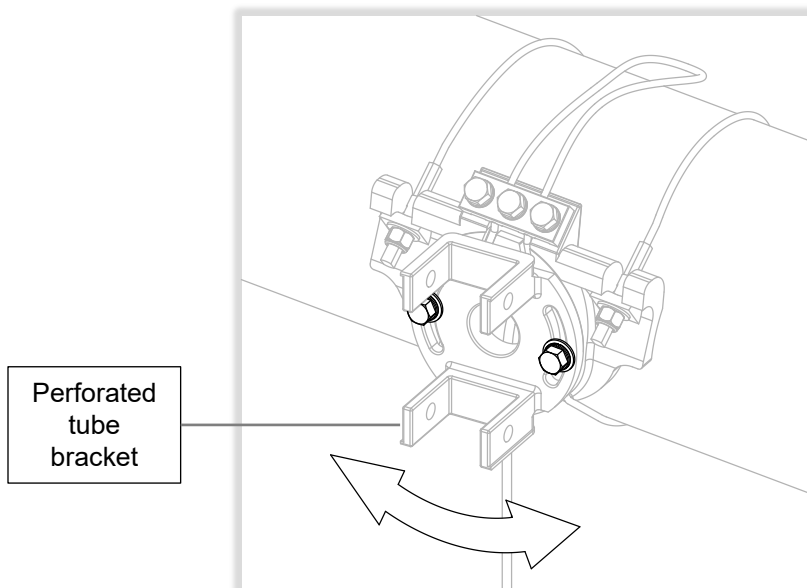
3. Place bracket over mast arm and install retaining cable.
4. Take slack out of cable by pulling on upper loop and tighten three clamp bolts to 36 ft-lb.
5. Adjust tilt angle of bracket and lock in place by tightening both cable tensioning nuts to 36 ft-lb.



**NOTE**

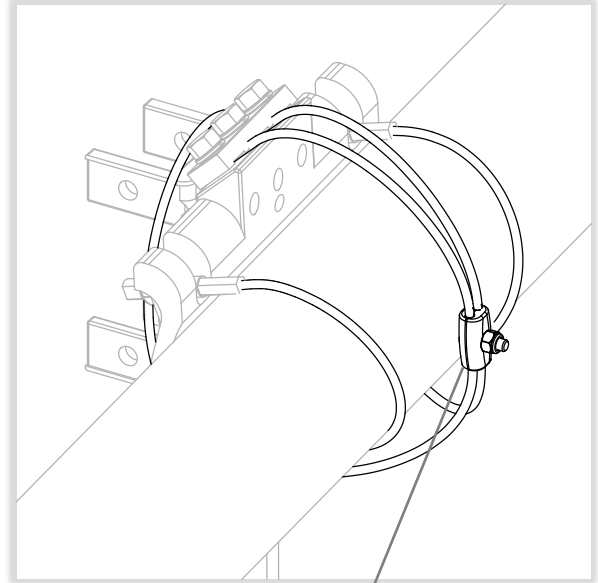
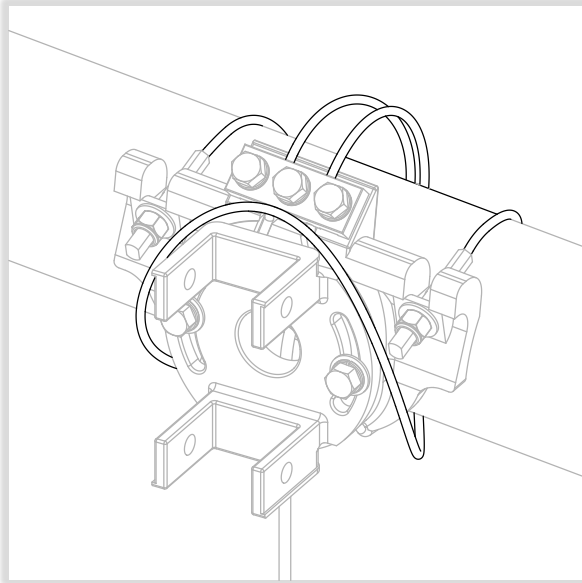
Do not feed electrical cable through center hole of bracket.

6. Adjust angle of perforated tube bracket and tighten two bolts to 36 ft-lb to lock in place.



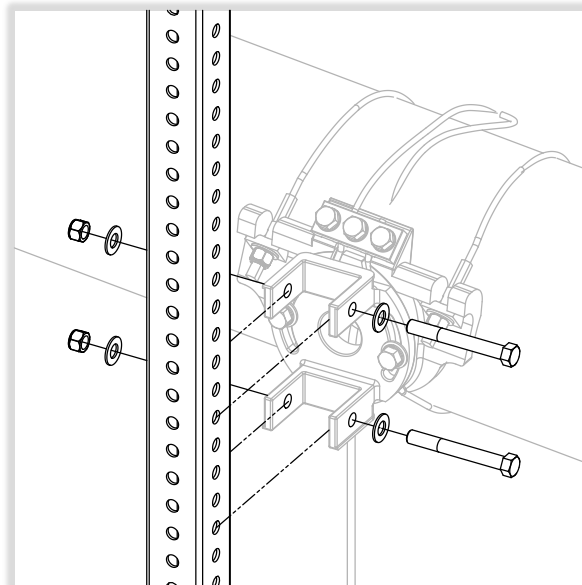


7. For smaller diameter mast arms, route excess cable length as shown and use included cable clamp to further constrain cable if desired.



Optional cable clamp

8. Mount supplied perforated tube to bracket at desired height using included 7/16" hardware. Tighten to 36 ft-lb.

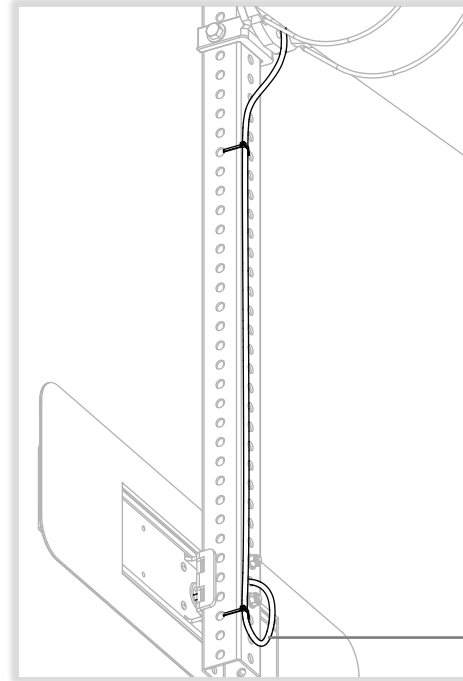
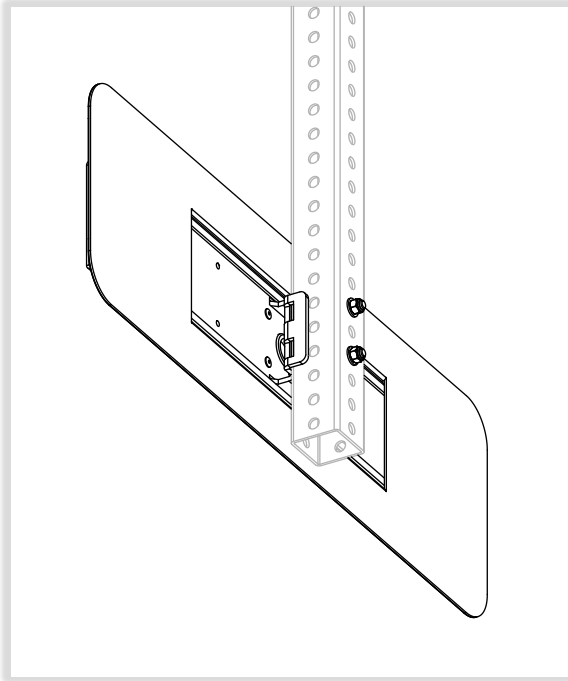


**NOTE**

Both tube and bolts fit tightly in bracket and a mallet may be required to insert bolts.

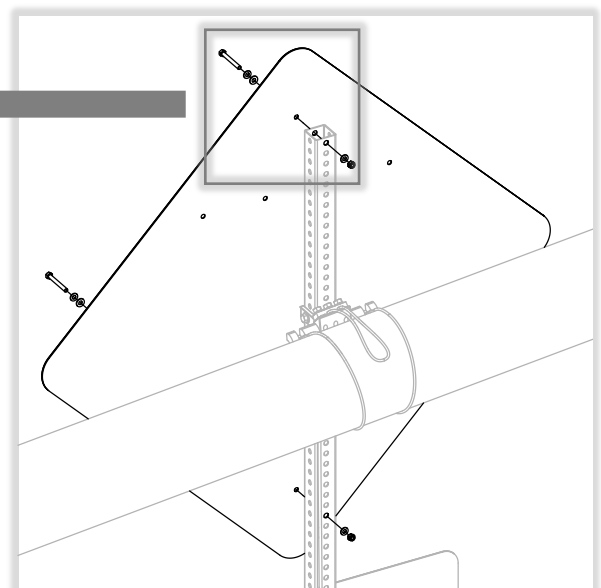
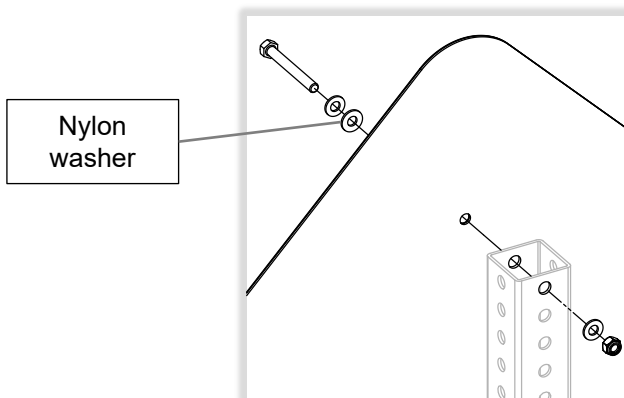


2. Install RRFB at bottom of perforated tube per **LEVEL 2** RRFB Install Guide.
3. If applicable, install back plate per **LEVEL 4** RRFB Back Plate Install Guide.
9. Secure cable to perforated tube forming a drip loop as shown.



Drip loop

10. Mount sign to perforated tube using provided 5/16" hardware, ensuring nylon washer is against sign sheeting.



**NOTE: READ ALL INCLUDED INSTALL GUIDES BEFORE SYSTEM INSTALLATION**