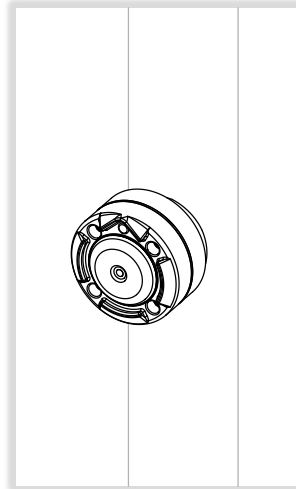




**Mount with Integrated Sign Frame**



**Compact Pole Mount**

**NOTE**

ADA regulations specify that the button should be 42" from the ground.

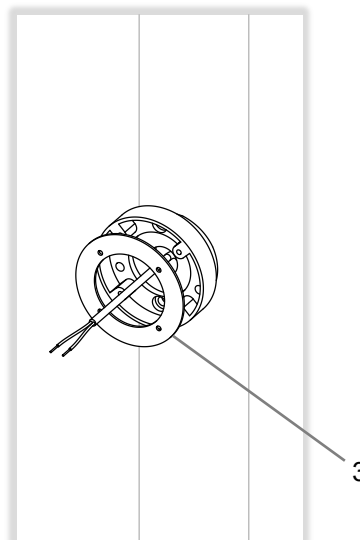
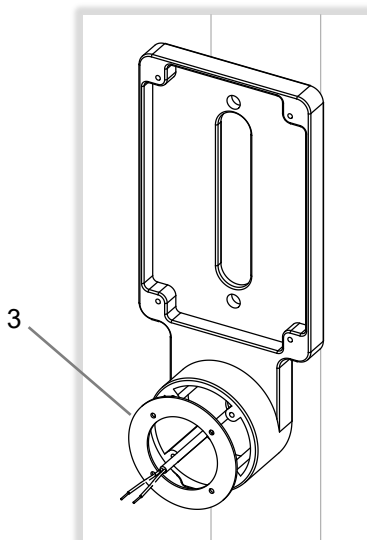
**NOTE**

Push button can be connected in either polarity.

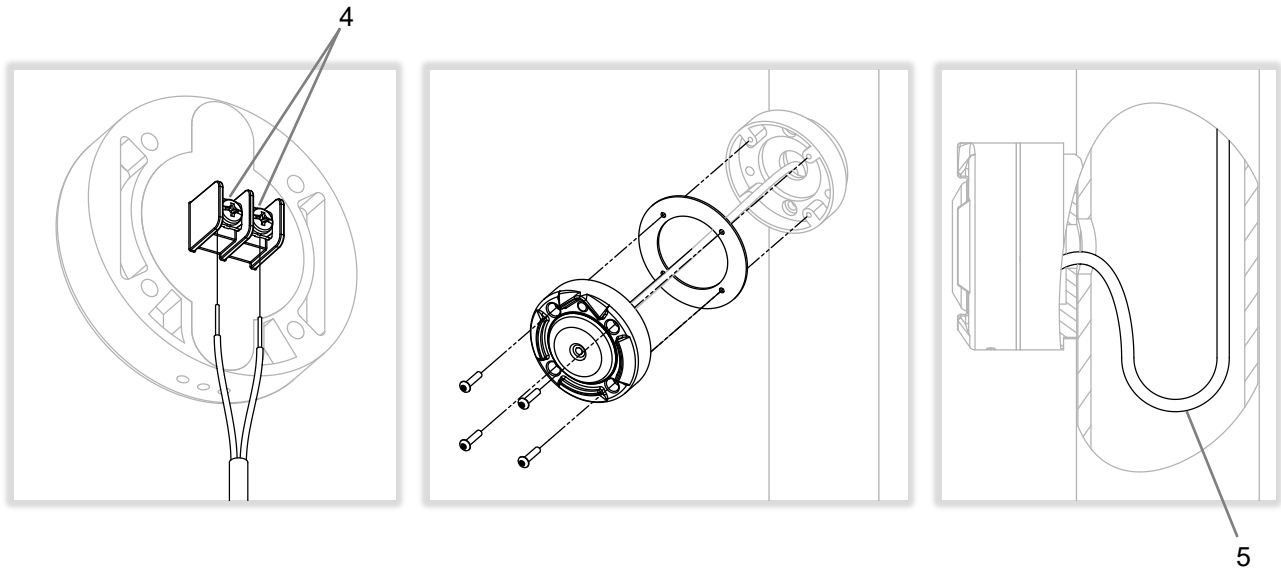
**NOTE**

Two or fewer parallel-connected buttons recommended per module trigger input.

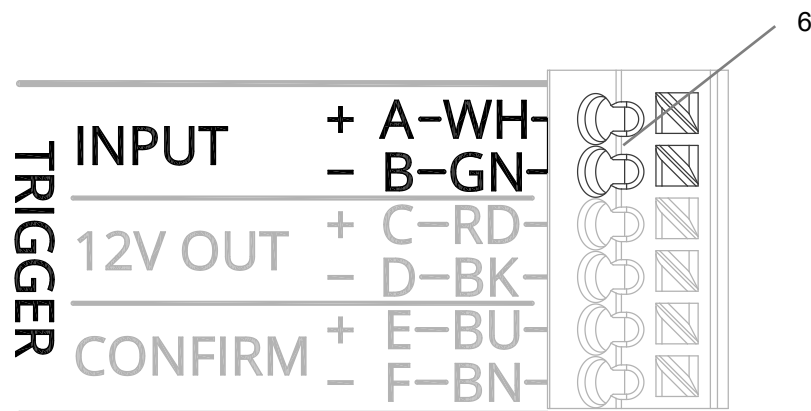
1. Prepare pole and install button base per button manufacturer's instructions.
2. Ensure cable entry hole is deburred and button base sits flush against pole.
3. Fish cable through pole and button base and slip gasket over cable.



4. Connect one wire to each button terminal (button is not polarized).
5. Install button with its supplied hardware, ensuring gasket is in place and cable forms a drip loop inside pole.



6. Connect other end of cable to trigger input terminals A and B of any power or flasher module.
7. Secure cable with cable tie following power or flasher module instructions.



**NOTE: READ ALL INCLUDED INSTALL GUIDES BEFORE SYSTEM INSTALLATION**