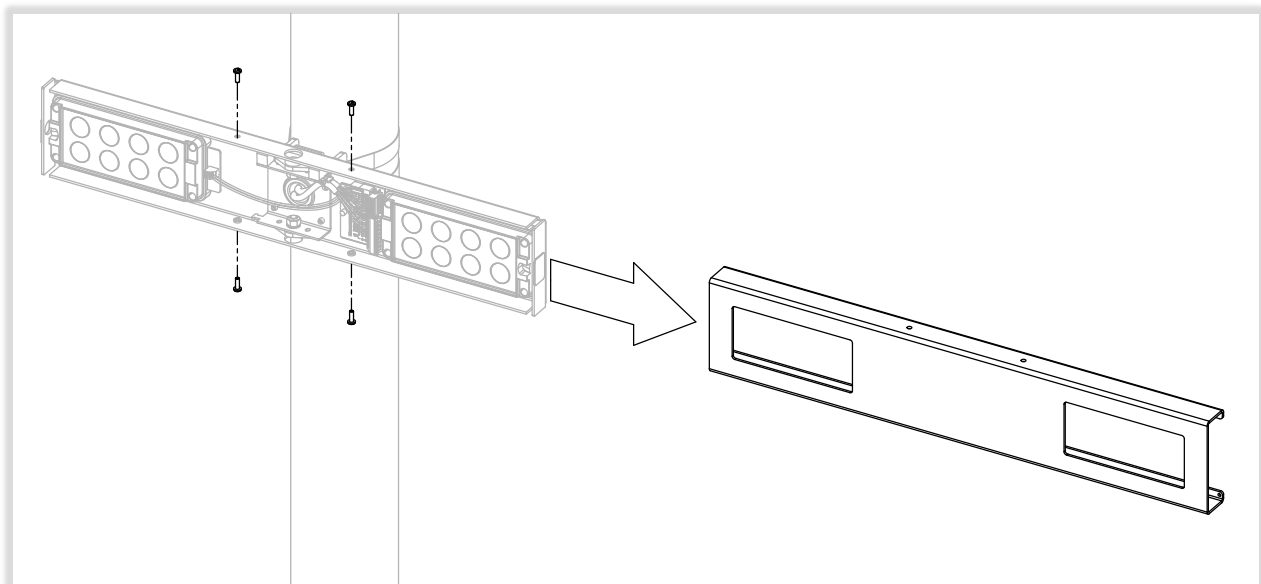
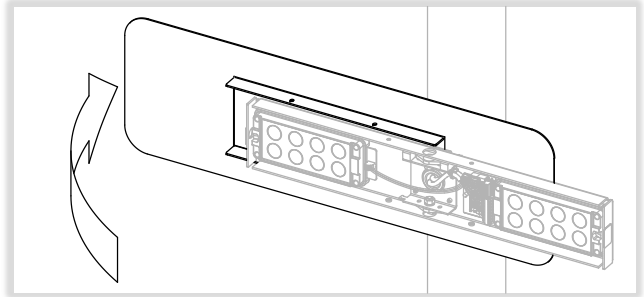
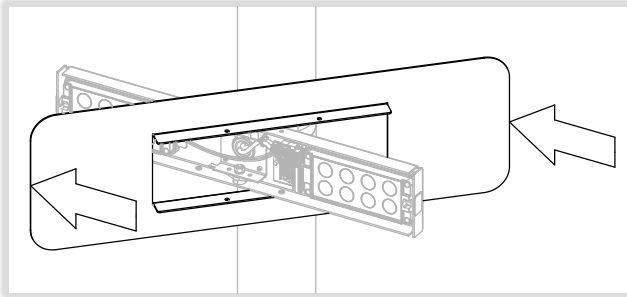


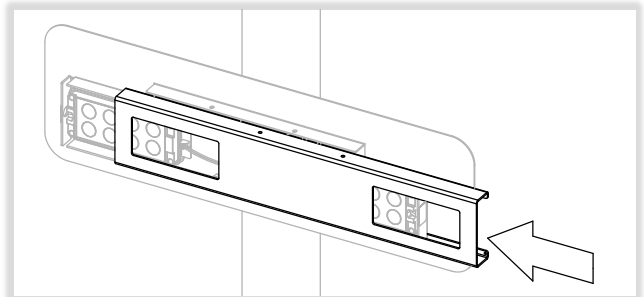
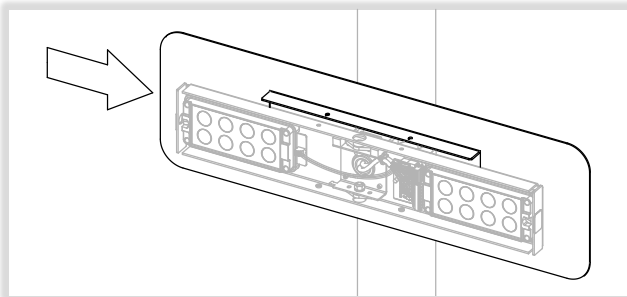
1. Remove four light bar cover screws and set aside. Slide cover off as shown.



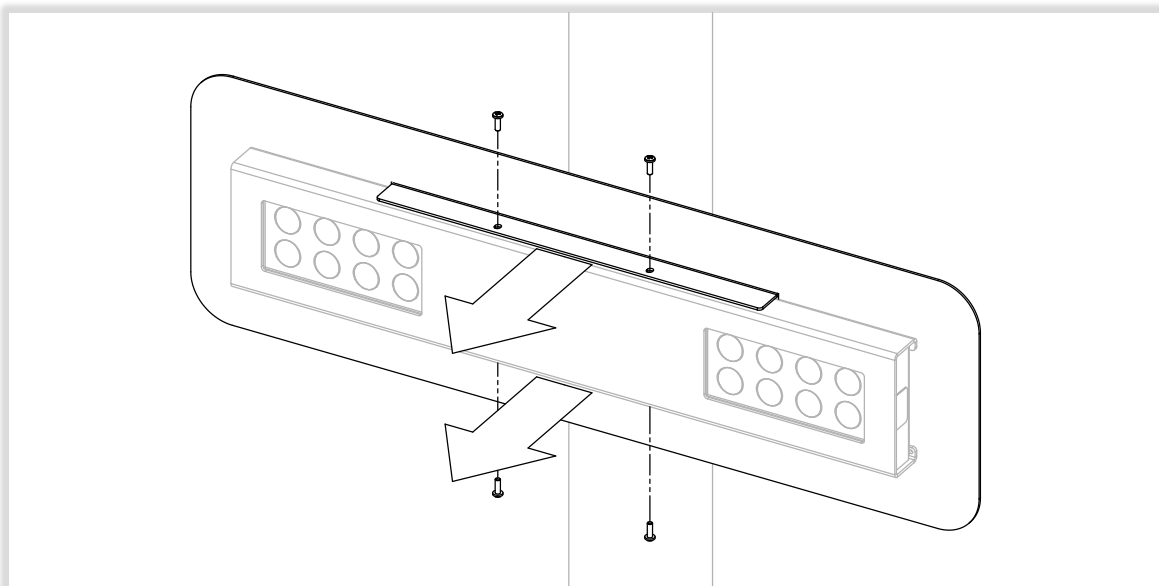
2. Angle backplate as shown and slide over light bar chassis as shown.



3. Center backplate with light bar chassis and slide light bar cover back on.



4. Pull backplate forward over light bar cover. Align holes in backplate, light bar cover and captive nuts on chassis underneath. Install all four screws loosely before tightening.



NOTE: READ ALL INCLUDED INSTALL GUIDES BEFORE SYSTEM INSTALLATION