

**NOTE**

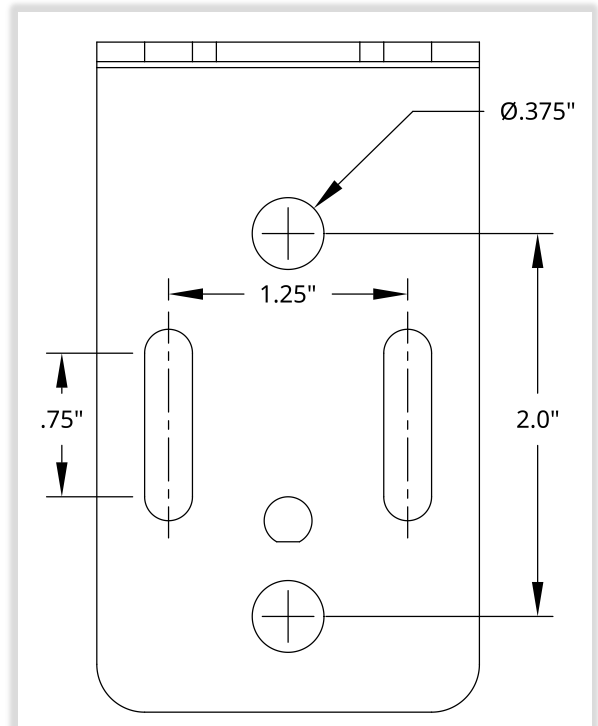
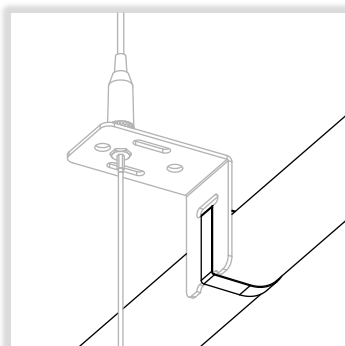
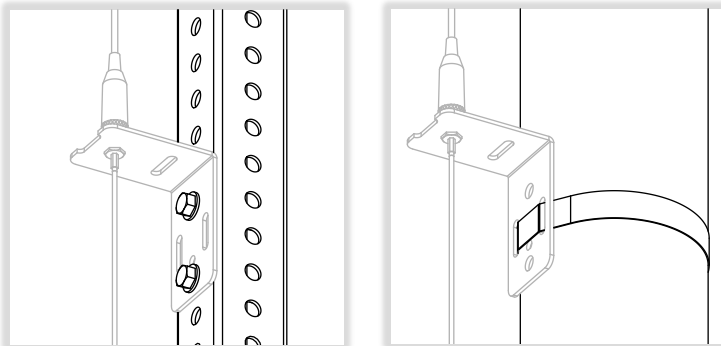
Locate remote antenna where it will have direct line of sight with other systems in group. Ensure cable length is sufficient to reach power module connector.



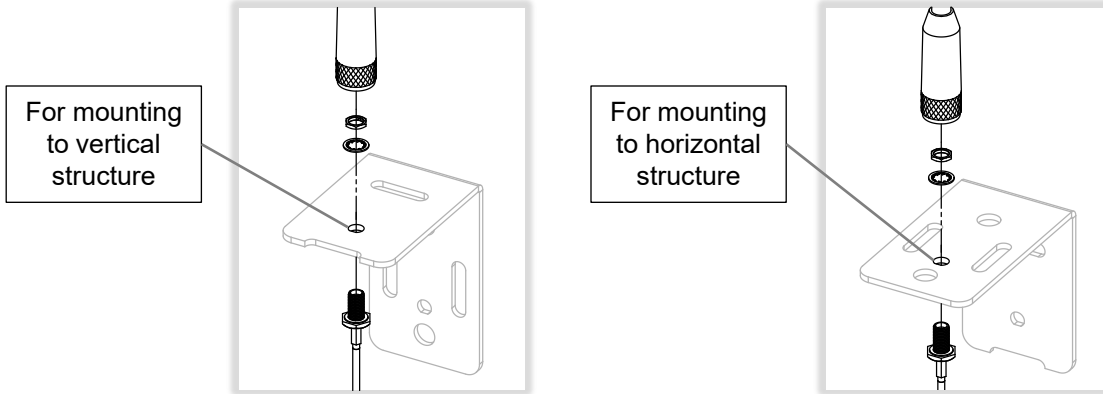
Avoid sharp bends and take care not to kink or crush the antenna cable during installation.

**NOTE**

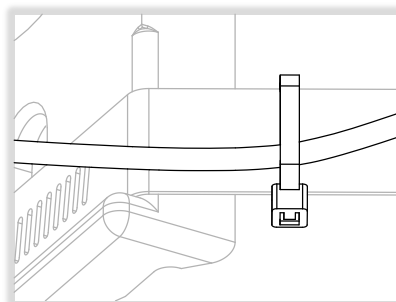
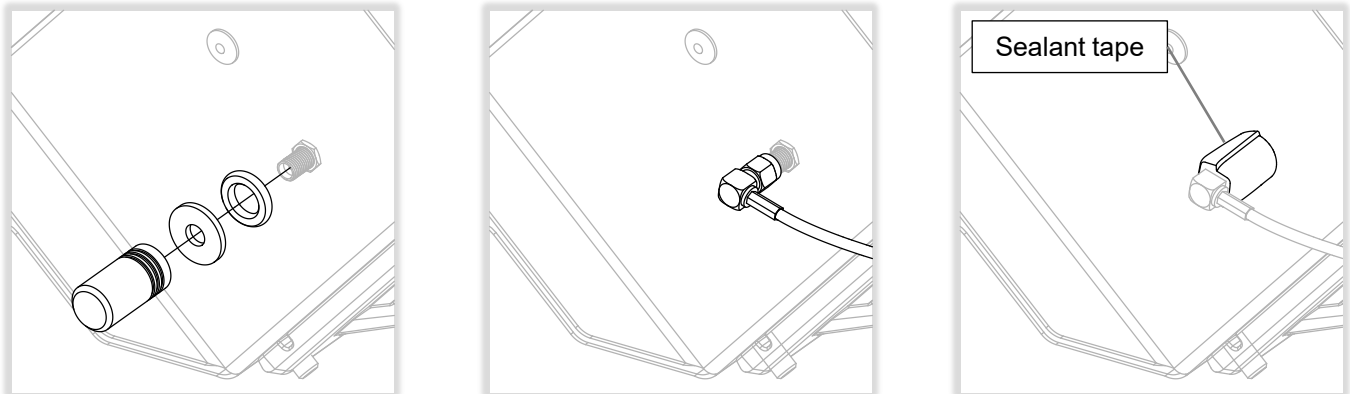
The bracket can be mounted to a vertical structure using either bolts or banding, or banded to a horizontal structure.



1. Install antenna cable bulkhead connector through bracket using included lock-washer and nut selecting appropriate hole for chosen mounting orientation. Thread antenna on bulkhead connector.
2. Secure bracket to support structure using appropriate hardware.



3. Remove antenna, washer and O-ring from power module and connect remote antenna cable in its place. Wipe off any excess grease that may have been pushed out of connector and apply provided sealant tape over connection.



4. Secure any slack in the cable as required to limit strain on connections.



**Do not over-tighten cable clamps or bend cable too tightly.**

**NOTE: READ ALL INCLUDED INSTALL GUIDES BEFORE SYSTEM INSTALLATION**