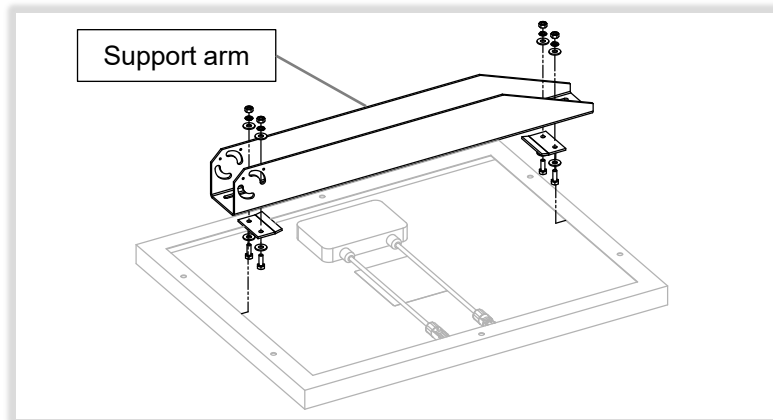
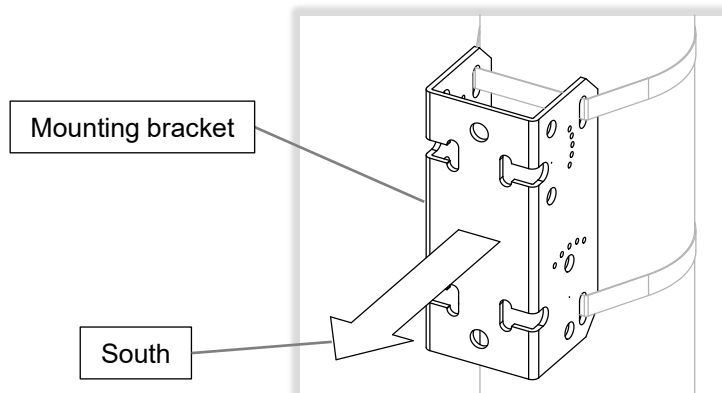


1. Fasten support arm to solar panel frame following mount manufacturer's instructions. Ensure solar panel is centered on mount bracket.



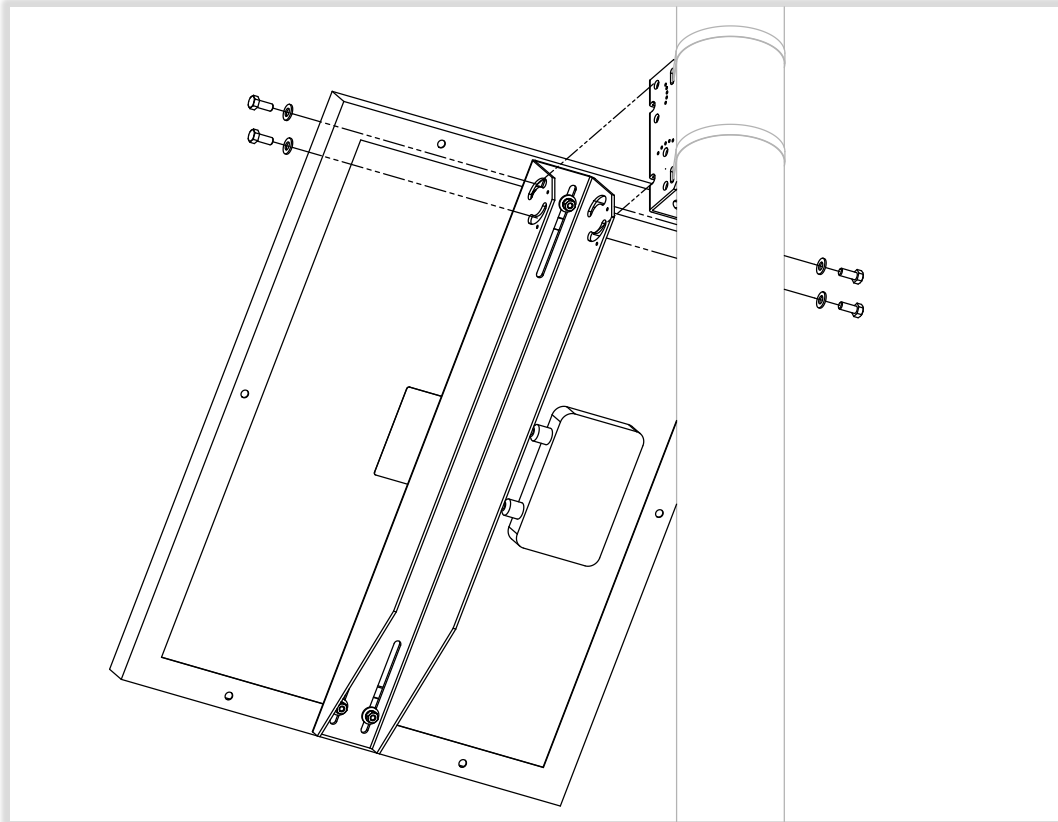
2. Install mounting bracket on pole following mount manufacturer's instructions. Ensure bracket faces south (in North America).



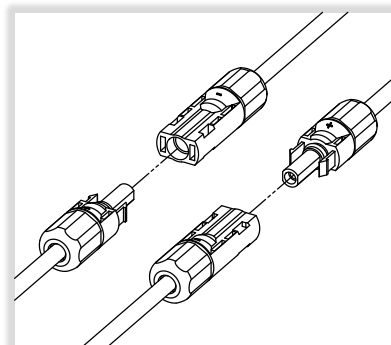
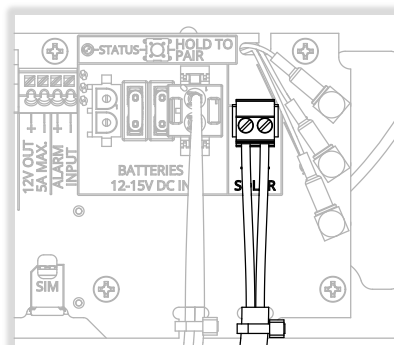


When exposed to light, solar panels generate electricity that can produce a shock or burn. To render them safe during installation, fully cover their front surface with an opaque material.

3. Secure support arm and panel to mounting bracket following mount manufacturer's instructions. Set tilt angle to 45 degrees.



4. Route solar cable provided with cabinet. Make cabinet connections before mating connectors from solar panel, see **LEVEL 2** MX 300/400 Solar Cabinet Module Install Guide for details.



**NOTE: READ ALL INCLUDED INSTALL GUIDES BEFORE SYSTEM INSTALLATION**