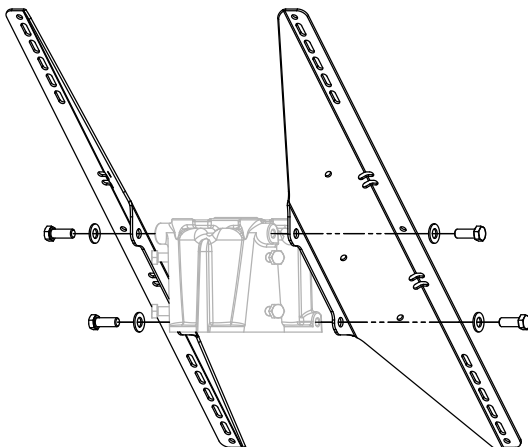
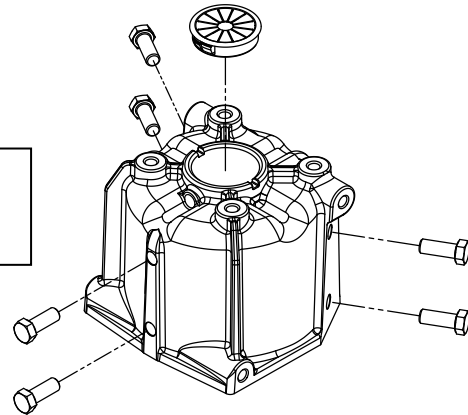


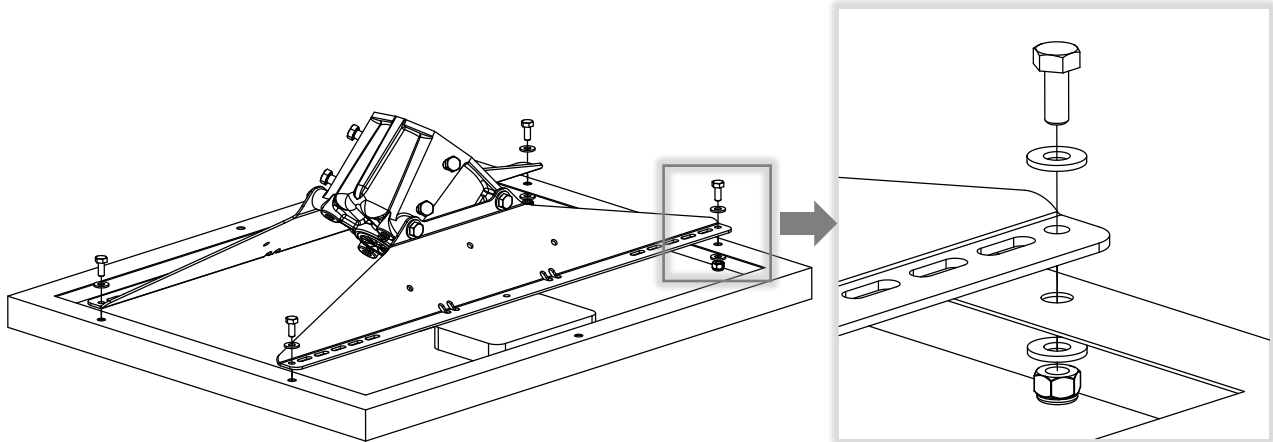
1. Install included grommet and six bolts into casting. Discard single longer bolt. Only thread in a few turns so bolts do not protrude inside.



2. Fasten sheet metal brackets to casting with four bolts and flat washers.



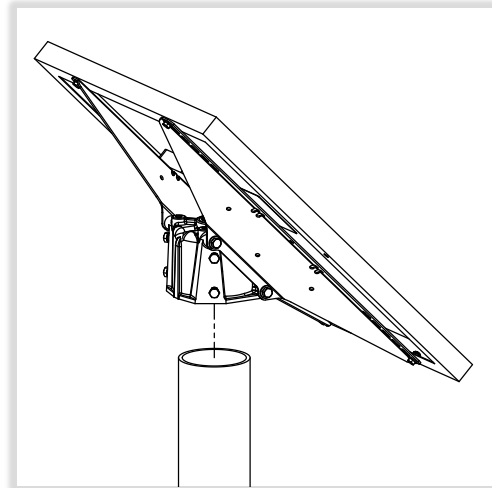
- Place casting/bracket assembly on back surface of solar panel. Align bracket holes with solar panel frame holes and fasten as shown with included hardware: four bolts, four lock nuts and eight flat washers.



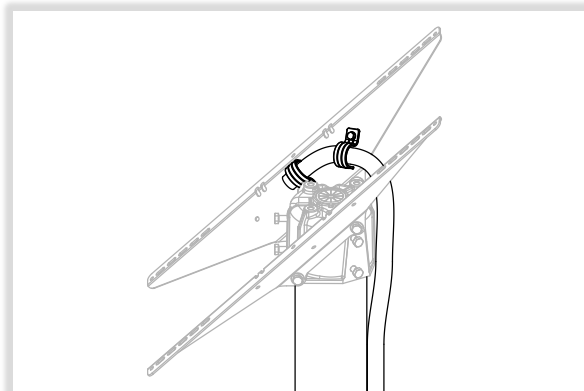
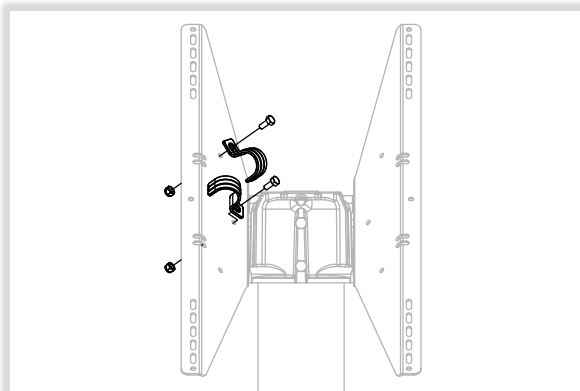
When exposed to light, solar panels generate electricity that can produce a shock or burn. To render them safe during installation, fully cover their front surface with an opaque material.

- Slide casting over top of pole and orient so panel faces south (in North America). Tighten six casting bolts to secure casting to pole.

- Route solar cable provided with cabinet down pole. Make cabinet connections before mating connectors from solar panel. See **LEVEL 2** MX 300/400 Solar Cabinet Module Install Guide for details.



- If using 3/4" flexible conduit mount kit, route conduit as shown and fasten conduit clamps with supplied bolts and nuts.



NOTE: READ ALL INCLUDED INSTALL GUIDES BEFORE SYSTEM INSTALLATION