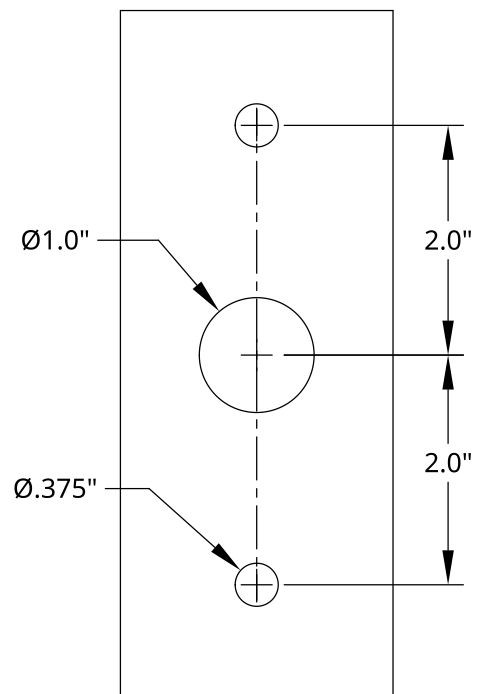
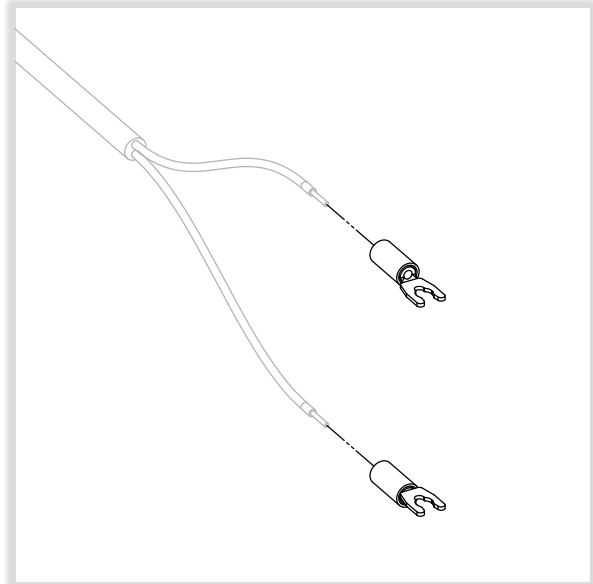
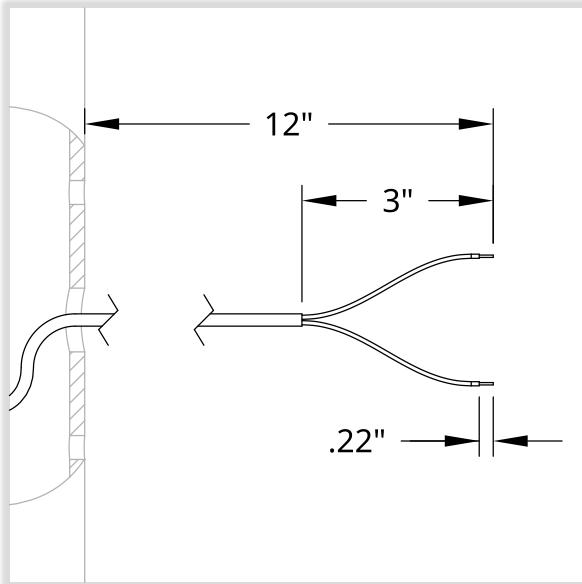


1. Mark desired switch box location on pole. Drill/enlarge wire entry hole to 1" diameter using suitable step drill or hole saw. Deburr hole edges.
2. If mounting to non-perforated post, drill bolt holes centered on wire entry hole. Recommended through hole size is 0.375" for 5/16" bolts (not included).

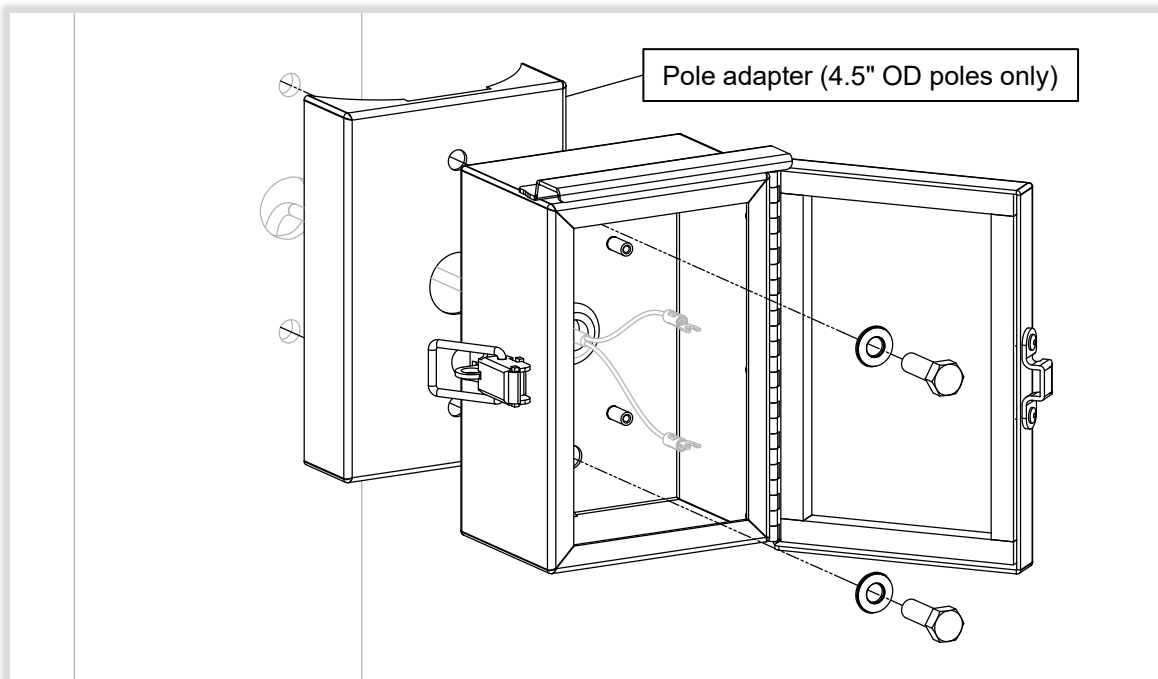




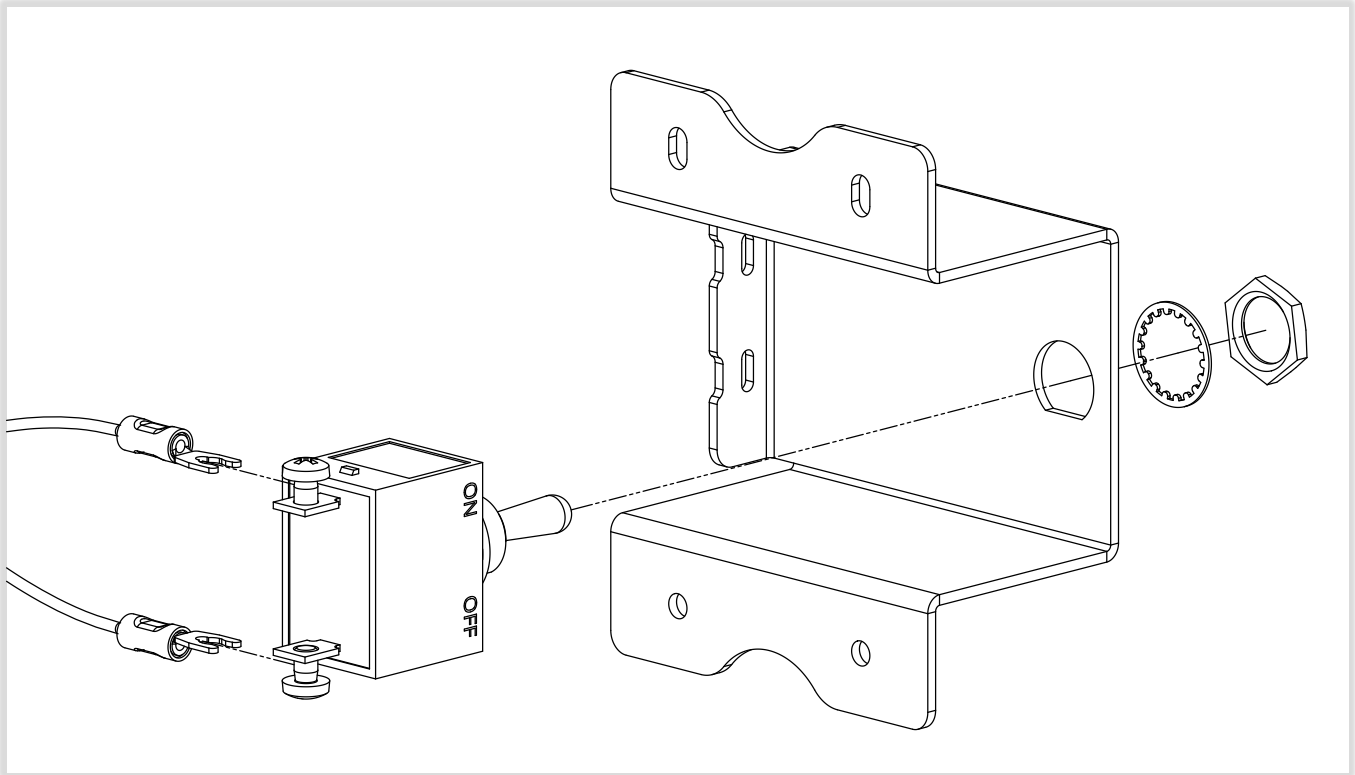
3. Route cable between power or flasher module and wire hole and pull ~12" cable slack outside pole. Strip cable jacket ~3" and wire insulation 0.22" from ends as shown.
4. Use suitable tool to crimp two supplied spade terminals onto stripped wires. Ensure terminals are securely crimped.



5. Thread cable through center holes in pole adapter (4.5" OD poles only) and switch box. Install supplied sealing washers onto suitable 5/16" bolts (not included) and fasten switch box to pole.



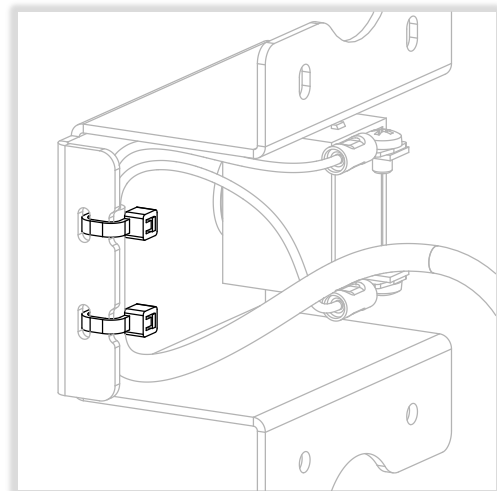
6. Connect spade terminals to switch screw terminals. Assemble switch into switch bracket with lock washer and nut.



7. Secure cable to bracket with cable ties.

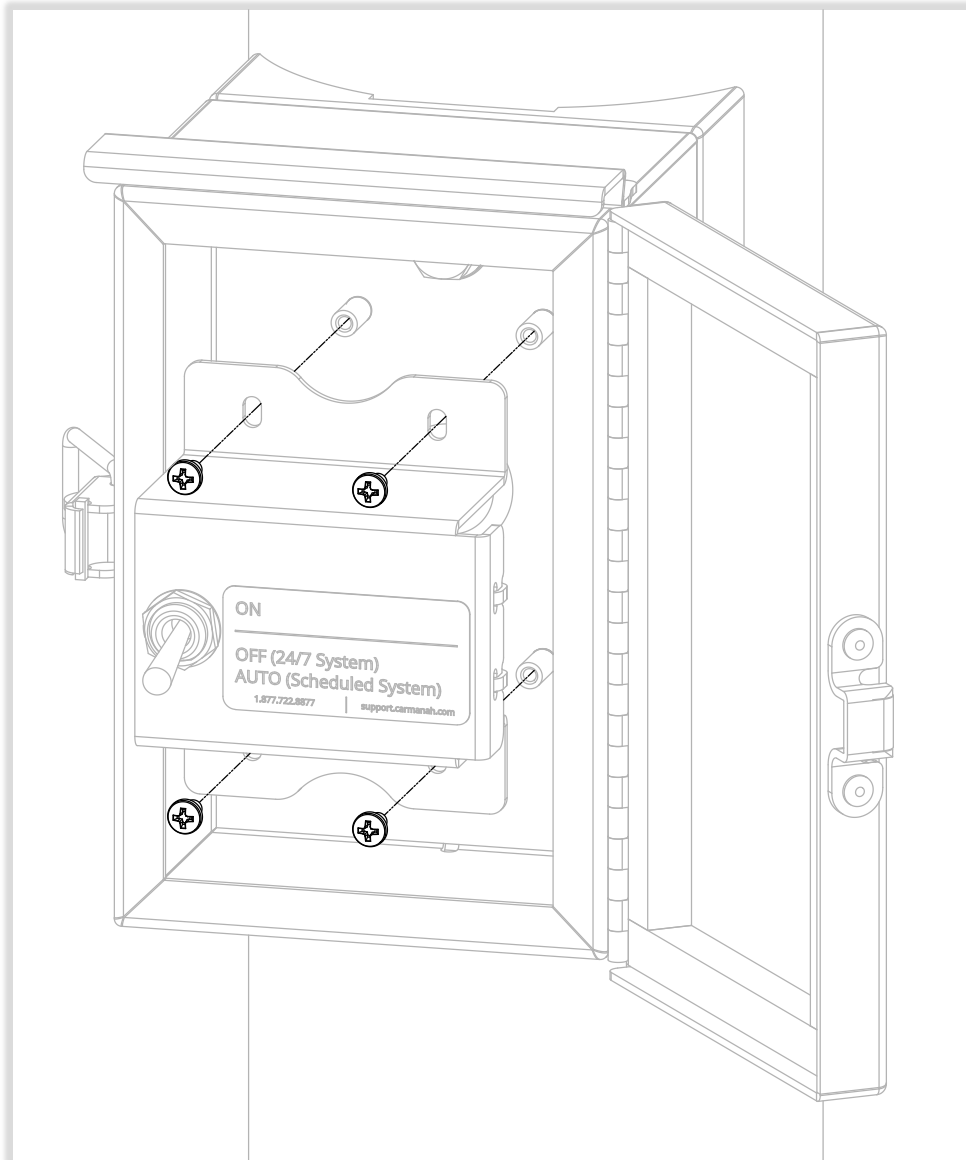
NOTE

Switch can be connected in either polarity.





8. Feed cable slack down into pole to create drip loop. Fasten bracket onto box standoffs with provided screws as shown.



NOTE

With switch ON: connected beacons will flash

With switch set to OFF/AUTO:

- 24/7 systems: connected beacons won't flash
- Scheduled systems: connected beacons will flash per programmed schedule

NOTE

A padlock with shackle diameter up to 1/4" can be used to secure the box.

NOTE: READ ALL INCLUDED INSTALL GUIDES BEFORE SYSTEM INSTALLATION