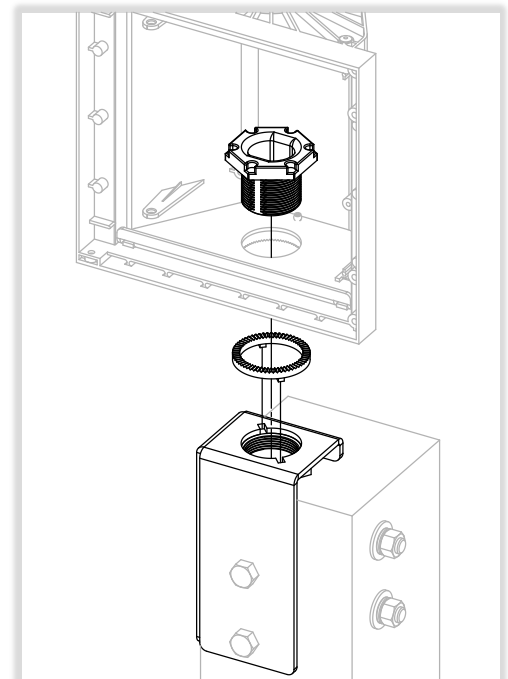
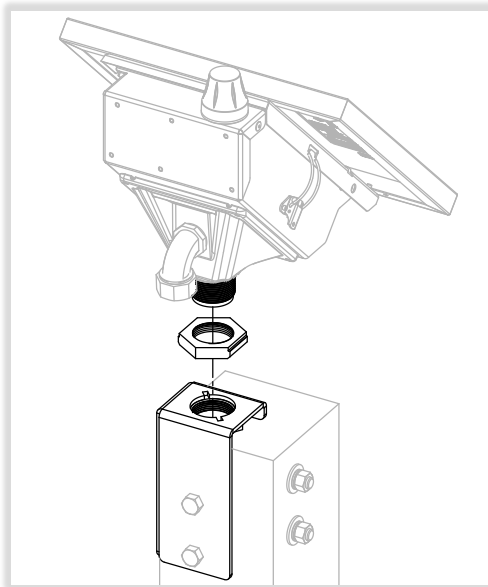
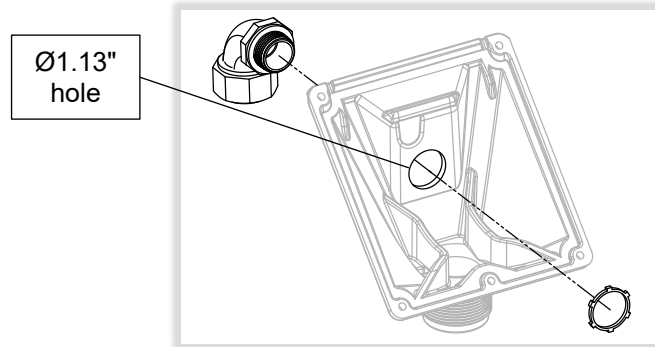
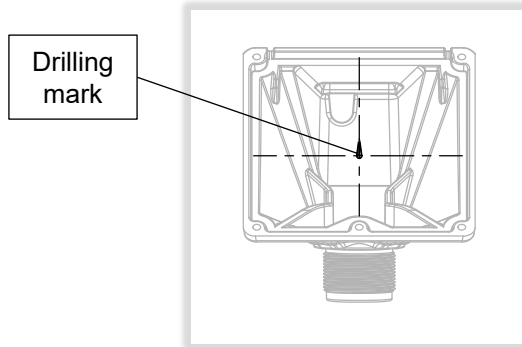


1. Secure bracket to corner of wood post with suitable hardware. 1/2" dia. galvanized through-bolts, flat washers, lock washers and nuts are recommended. Insert hex nut under bracket aligning nut thread with hole in bracket.

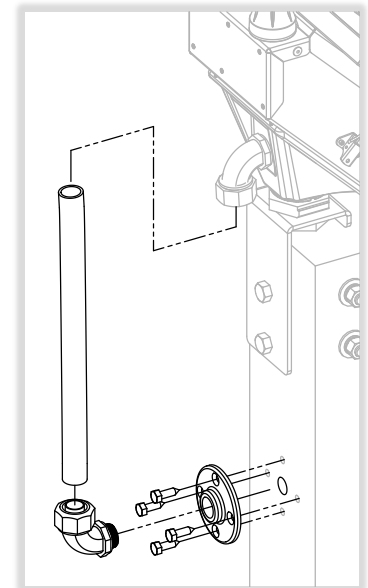


2. **Integrated beacon only:** follow **LEVEL 4** Integrated Beacon Mount Kit Install Guide for top of pole mount to complete installation.

3. **All other system types:** complete installation according to following steps. Drill hole in casting using alignment mark and install supplied conduit fitting as shown.



4. Thread hex nut all the way onto power module casting thread.  
 5. Fully thread power module onto nut under mount and loosen less than one turn until solar panel faces south (in North America).  
 6. Tighten upper nut down against mount to lock orientation.



7. Determine flasher module mounting location and drill cable hole through post in suitable location.  
 8. Install flange over hole using suitable fasteners (not supplied).  
 9. Thread conduit fitting in flange and install conduit as shown.  
 10. Install and connect flasher module per flasher and power module instructions.

**NOTE: READ ALL INCLUDED INSTALL GUIDES BEFORE SYSTEM INSTALLATION**