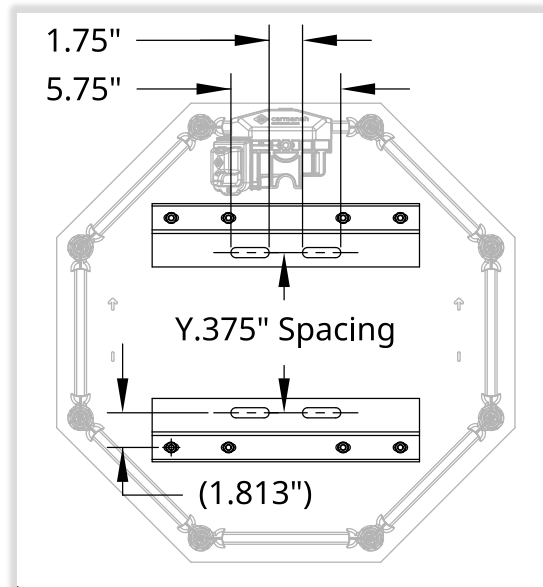
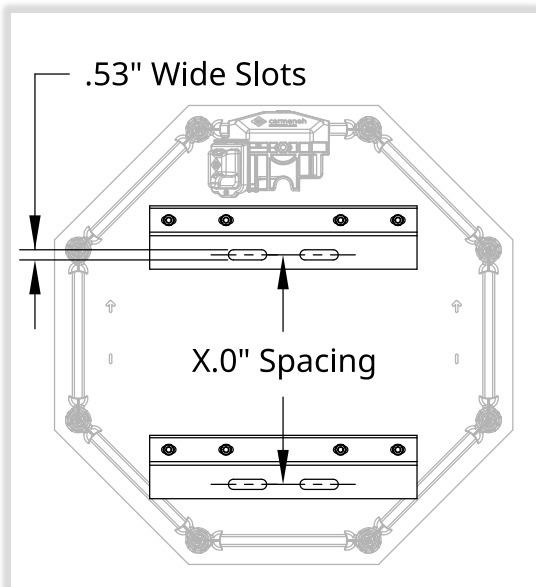


NOTE

Z-bars may be different lengths and use different number of fasteners than depicted depending on the sign type and size.



NOTE

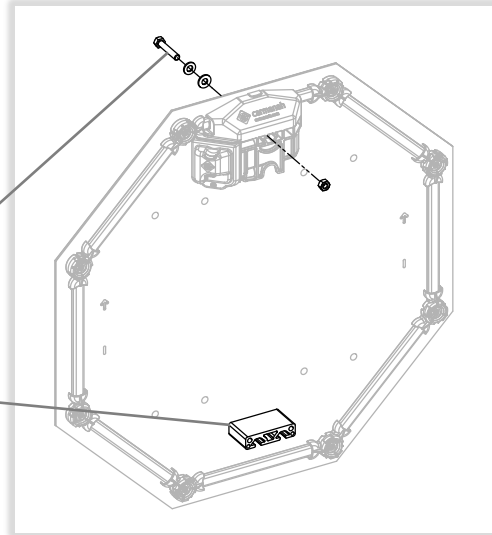
Bottom Z-bar may be installed in either orientation. Mounting holes will be spaced in a round number of inches apart when the top and bottom Z-bars are facing the same way.



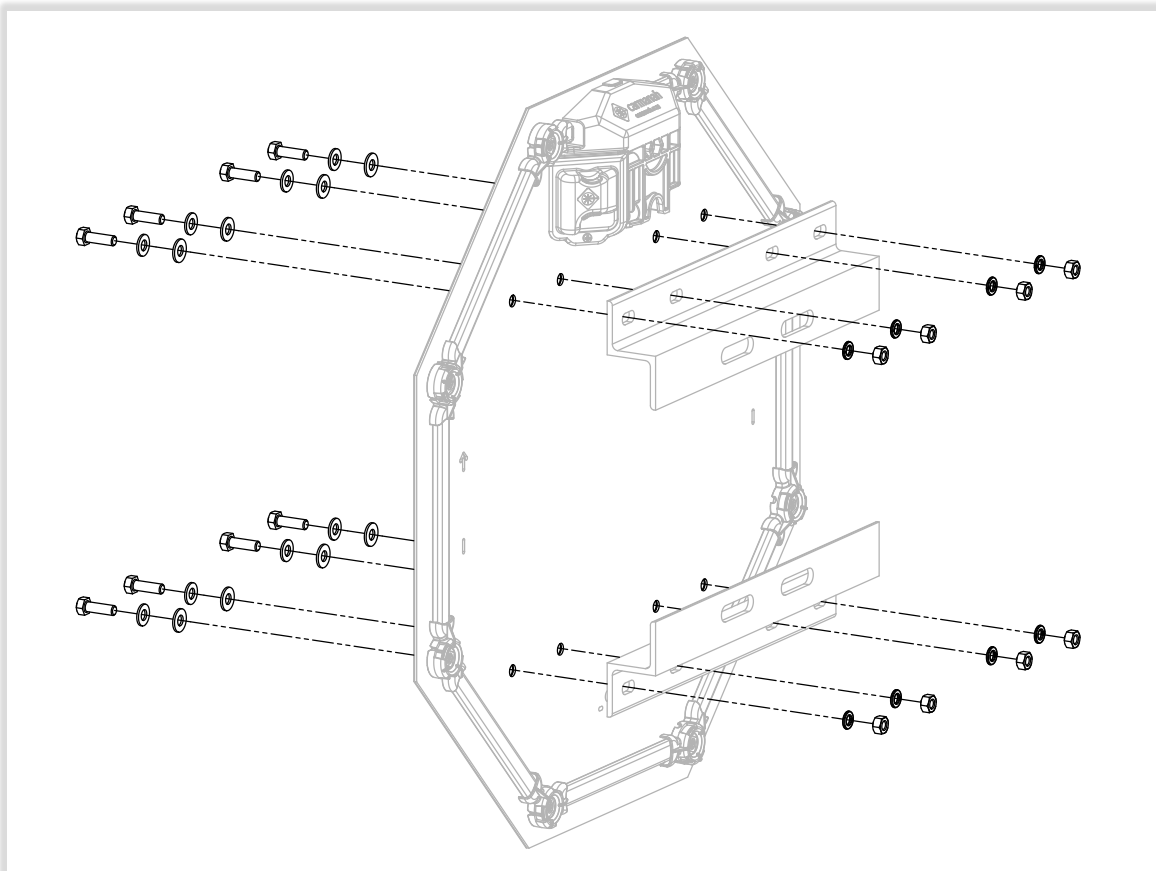
1. Ensure 1-3/4" keeper bolt, nut, and washers (supplied with sign) are installed through junction box with nylon washer against sign sheeting. Bottom spacer is not required and can be removed.

Keeper bolt

Spacer



2. Cut sheeting out from bolt holes and install Z-bars in chosen orientation using supplied bolts, flat washers, nylon washers, lock washers and nuts. Ensure nylon washers are against sign sheeting.



NOTE: READ ALL INCLUDED INSTALL GUIDES BEFORE SYSTEM INSTALLATION