



R247-G

24-HOUR SOLAR LED FLASHING BEACON

24-Hour Solar Flashing Beacon for Warning Signs and Stop Signs

- Delivers industry-leading high-intensity light output
- ITE intensity compliant solar system
- Solar panel and battery sized to meet location demands
- Proven technology platform
- MUTCD compliant

High Intensity Light Output

The R247-G 24-hour flashing beacon meets ITE intensity requirements and provides year-round performance in the most challenging solar conditions. An ultra-efficient Energy Management System (EMS) coupled with the latest LED technology delivers a high-intensity, continuous flash output.

Configurable

With a variety of solar panel and battery options available, systems can be easily tailored to meet application requirements. The R247-G is custom-configured for optimal performance based on location, solar radiation and application requirements and is designed to withstand vandalism and extreme weather.

Advanced User-Interface

The R247-G features an on-board user interface and display that provides quick configuration and status monitoring.

Reliable

Designed with Carmanah's industry-leading solar modeling tools to ensure dependable year-round operation. The purpose-built EMS provides reliable operation, even in challenging solar conditions.

Trusted

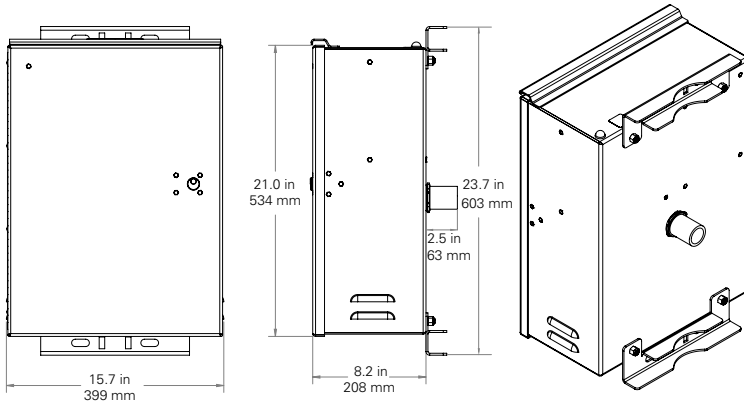
With thousands of installations, Carmanah solar flashing beacons and solar LED products have become the benchmark in traffic and signaling applications worldwide.



Note: cabinet mountable in other locations on the pole.

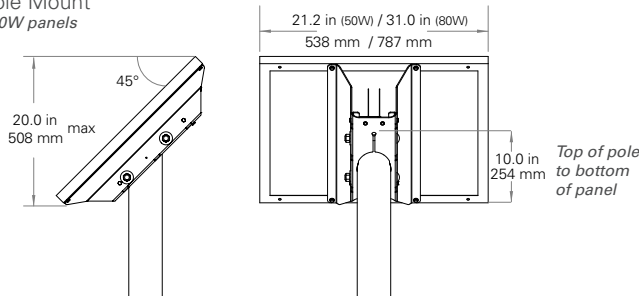
REPRESENTED IN YOUR REGION BY:

CABINET DIMENSIONS

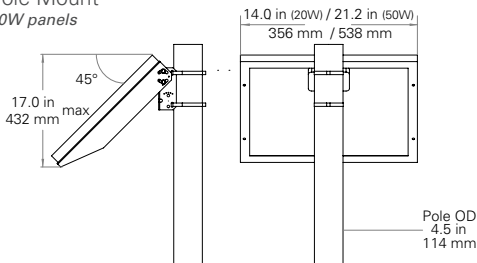


SOLAR PANEL MOUNTS

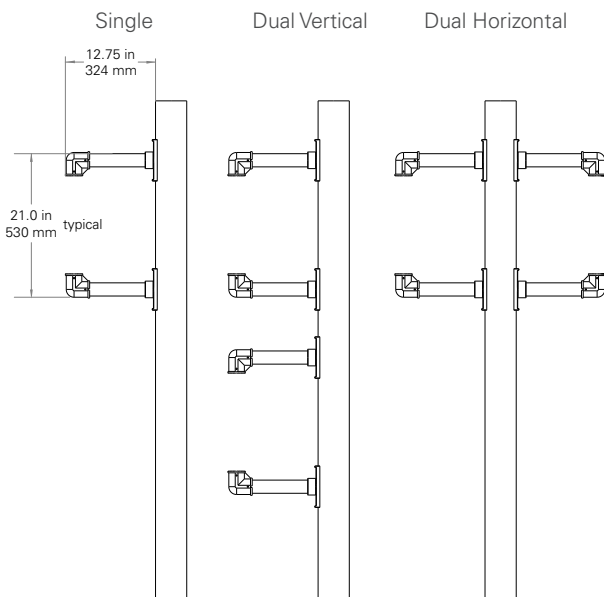
Top of Pole Mount
50W and 80W panels



Side of Pole Mount
20W and 50W panels



FIXTURE MOUNTS



R247-G

24-HOUR SOLAR FLASHING BEACON

SPECIFICATIONS

On-Board User Interface (OBU)	Adjustable, auto-scrolling LED display
	Night-dimming configuration
	System test, status and fault detection
Optical	MUTCD Compliant*; alternate and unison flash pattern
	ITE VTCSH** LED circular signal supplement standard including intensity
	Single or dual 12 in (305 mm) or 8 in (203 mm) diameter LED module, yellow or red
Energy Collection	Dominant wavelength: 590 nm (yellow), 625 nm (red)
	High-efficiency photovoltaic module: 20, 50 or 80 watts
	Maximum Power Point Tracking with Temperature Compensation (MPPT-TC) for optimal energy collection in all solar conditions, prevents battery over charging
Energy Storage	Rated for operation 24 hours per day, year-round when configured for the location
	Replaceable, recyclable best-in-class 12V battery system; Sealed, maintenance-free
	Battery sizes: 33, 75, 100 Ah
Cabinet Construction	Designed for minimum 5-year battery life
	Weatherproof, vented screened cabinet for ambient air transfer (NEMA 3R)
	Stainless steel hinged door with industry standard #2 lock
	Side of pole mounting to standard 4.5 in (114 mm) outer-diameter poles
	Color: black or natural aluminum finish
Environmental	Pre-wired assembly designed to minimize installation time
	System Operating Temperature (excluding battery): -40 to 176°F (-40 to 80°C)
	Battery Operating Temperature: -22 to 122°F (-30 to 50°C)
Warranty	5-year limited warranty

* Meets all requirements for design, illumination, and color of signal sections required by 2009 MUTCD, Chapter 4L, Flashing Beacons (MUTCD: Manual on Uniform Traffic Control Devices).

** Meets ITE Intensity when configured and applied as recommended.



All Carmanah products are manufactured in facilities that are certified to ISO quality standards.



Specifications subject to local environmental conditions. Specifications may be subject to change.

US Patent No 6,573,659, Other patents pending.

"Carmanah" and Carmanah logo are trademarks of Carmanah Technologies Corp.

© 2016, Carmanah Technologies Corp.

Document: SPC_TRAF_R247G_RevE